

### Concrete Elliptical Pipe 18" - 144" Equivalent Diameter

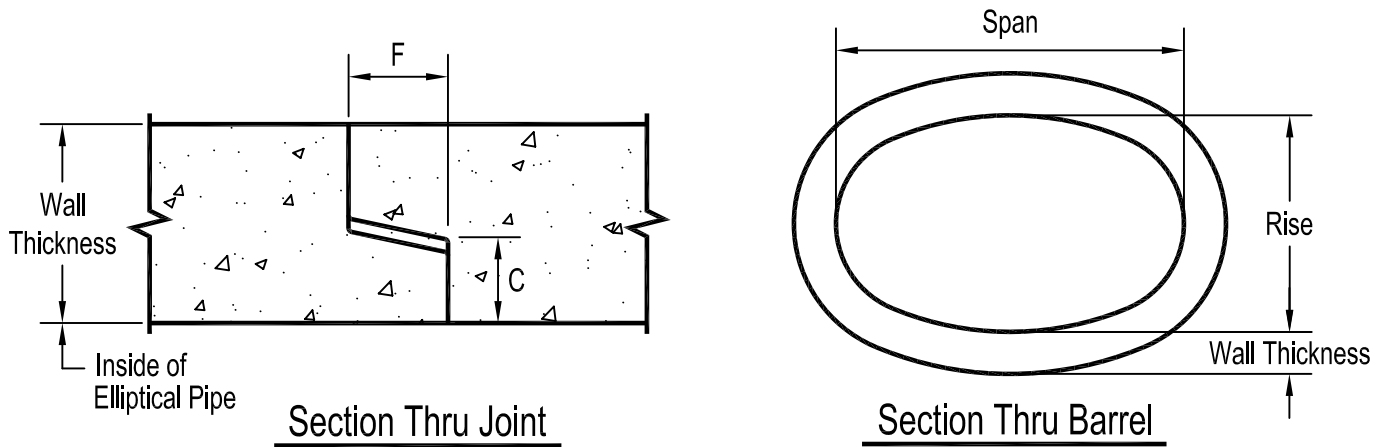


Table Of Dimensions And Weights

Round Equivalent (inches)	Inside Dimension (inches)		Wall Thickness (inches)	C (inches)	F (inches)	Full Flow Water Area (Sq. Ft.)	Approx. Weight (Lbs / Ft.)
	Rise	Span					
18	14	23	2 3/4	1 1/8	2	1.83	200
24	19	30	3 1/4	1 1/4	2	3.28	310
27	22	34	3 1/2	1 3/8	2 1/4	4.12	380
30	24	38	3 3/4	1 3/8	2 1/2	5.10	450
33	27	42	3 3/4	1 3/8	3	6.33	495
36	29	45	4 1/2	1 3/4	3	7.36	650
39	32	49	4 3/4	1 13/16	3 1/4	8.78	750
42	34	53	5	1 7/8	3 1/2	10.2	850
48	38	60	5 1/2	2 3/16	3 3/4	12.9	1,040
54	43	68	6	2 3/8	4	16.7	1,285
60	48	76	6 1/2	2 5/8	4	20.5	1,535
66	53	83	7	2 3/4	5	24.8	1,815
72	58	91	7 1/2	2 7/8	5 1/2	29.4	2,120
78	63	98	8	3	6	34.6	2,440
84	68	106	8 1/2	3 1/4	6	40.1	2,790
90	72	113	9	3 1/2	6	46.1	3,170
96	77	121	9 1/2	3 3/4	6	52.4	3,560
102	82	128	9 3/4	3 7/8	6	59.1	3,880
108	87	136	10	4	6	66.4	4,200
114	92	143	10 1/2	4 1/4	6	73.9	4,650
120	97	151	11	4 1/2	6	82.1	5,130
132	106	166	12	5	6	99.2	6,150
144	116	180	13	5 1/2	6	118	7,300

Pipe dimensions may vary depending upon equipment availability.

Notes:

1. Produced to meet ASTM Specifications.
2. Contact a Concrete Pipe Division representative for details not listed on this sheet.