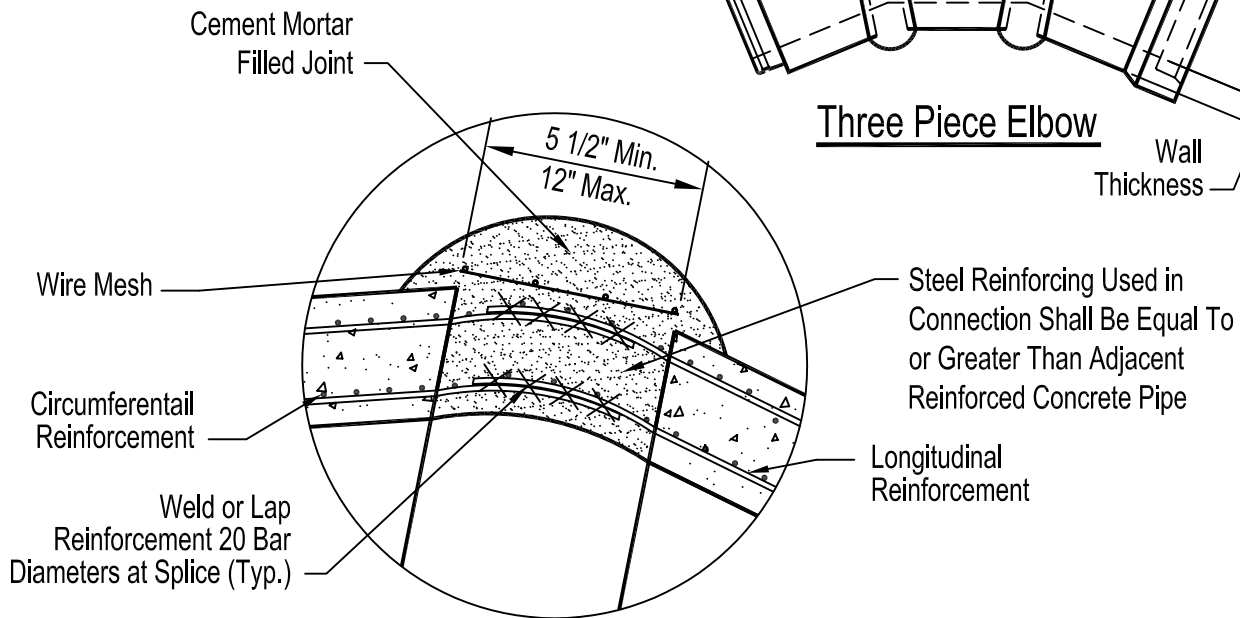
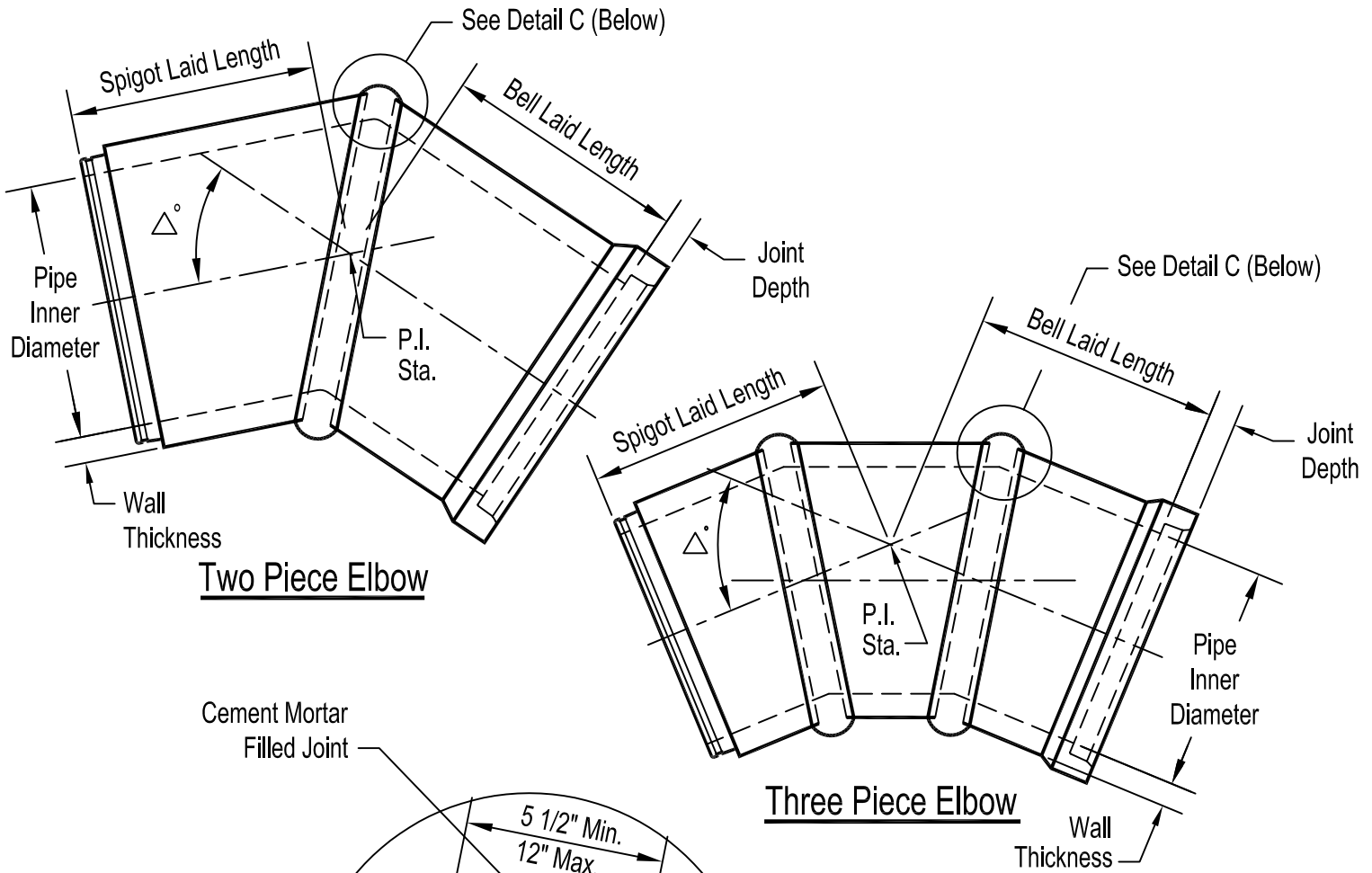


Reinforced Concrete - Two and Three Piece Elbow Fabrication Details



Detail C

Notes:

1. Produced to meet ASTM Specifications.
2. Contact a Concrete Pipe Division representative for details not listed on this sheet.