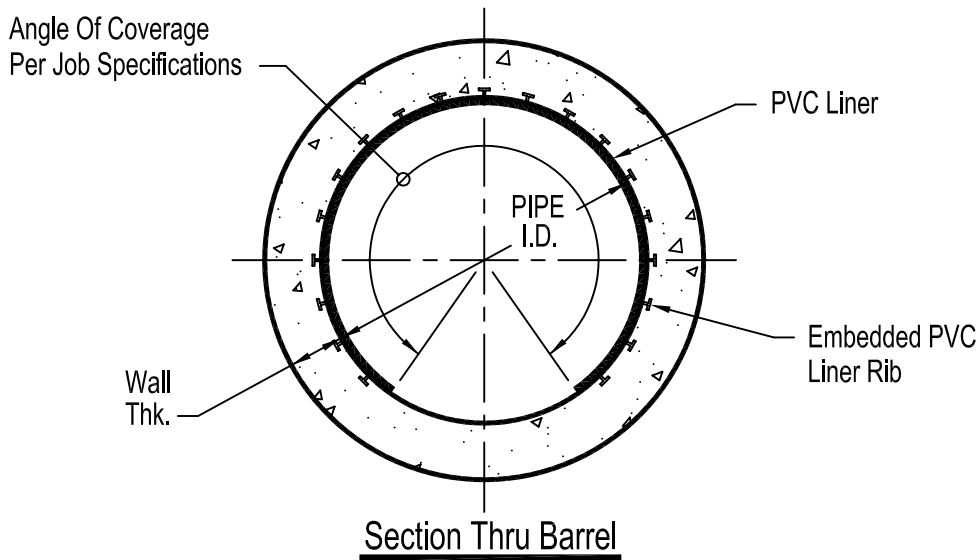
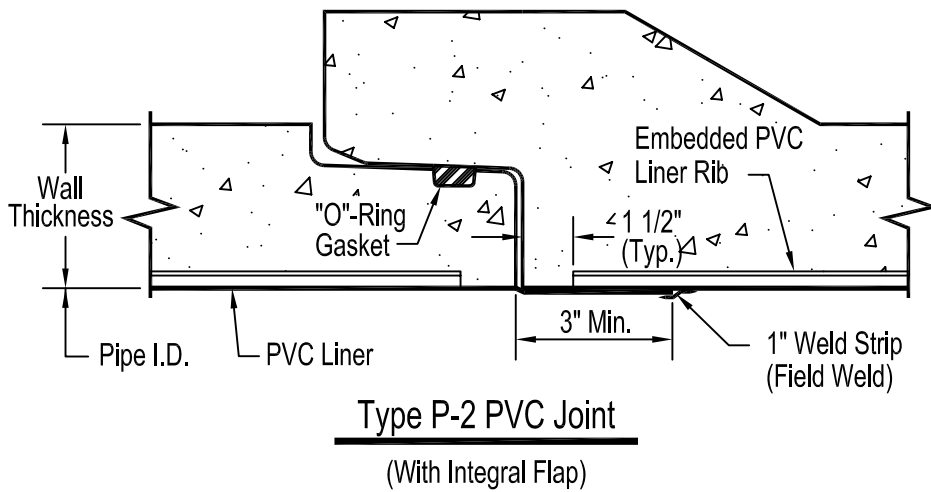
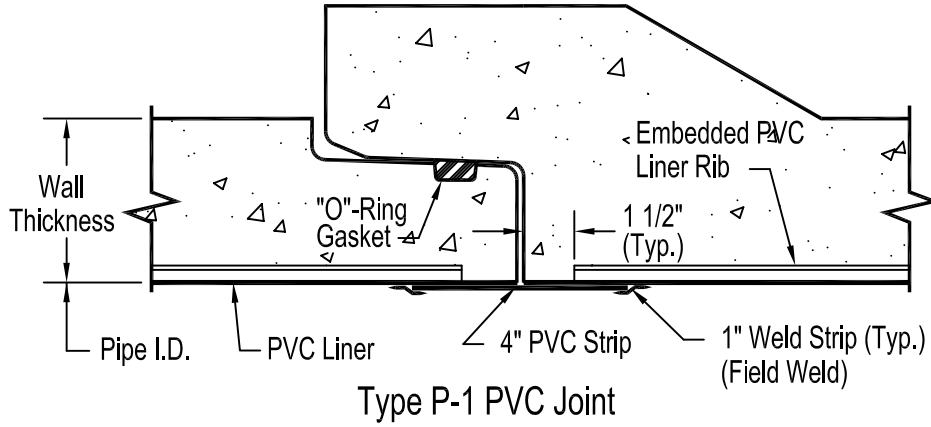


**Reinforced Concrete Pipe With PVC Liner**



Notes:

1. Produced to meet ASTM and AWWA Specifications.
2. Contact a Concrete Pipe Division representative for details not listed on this sheet.