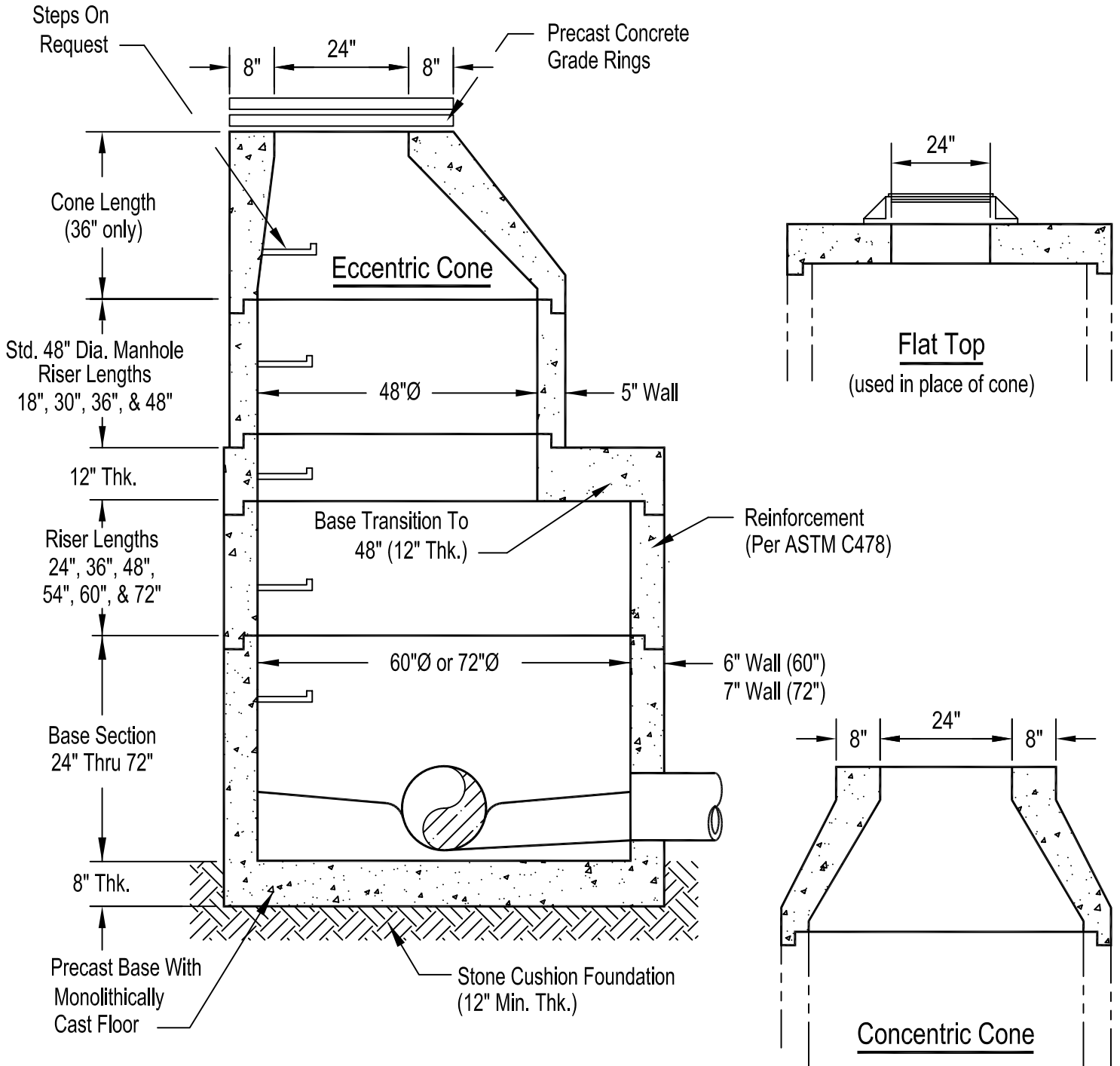


Typical 60" or 72" Diameter Manhole



Typical Section Thru Manhole

Notes:

1. Produced to meet ASTM specifications.
2. Cones available eccentric or concentric.
3. Additional manhole sizes are available.
4. Contact a Concrete Pipe Division representative for details not listed on this sheet.