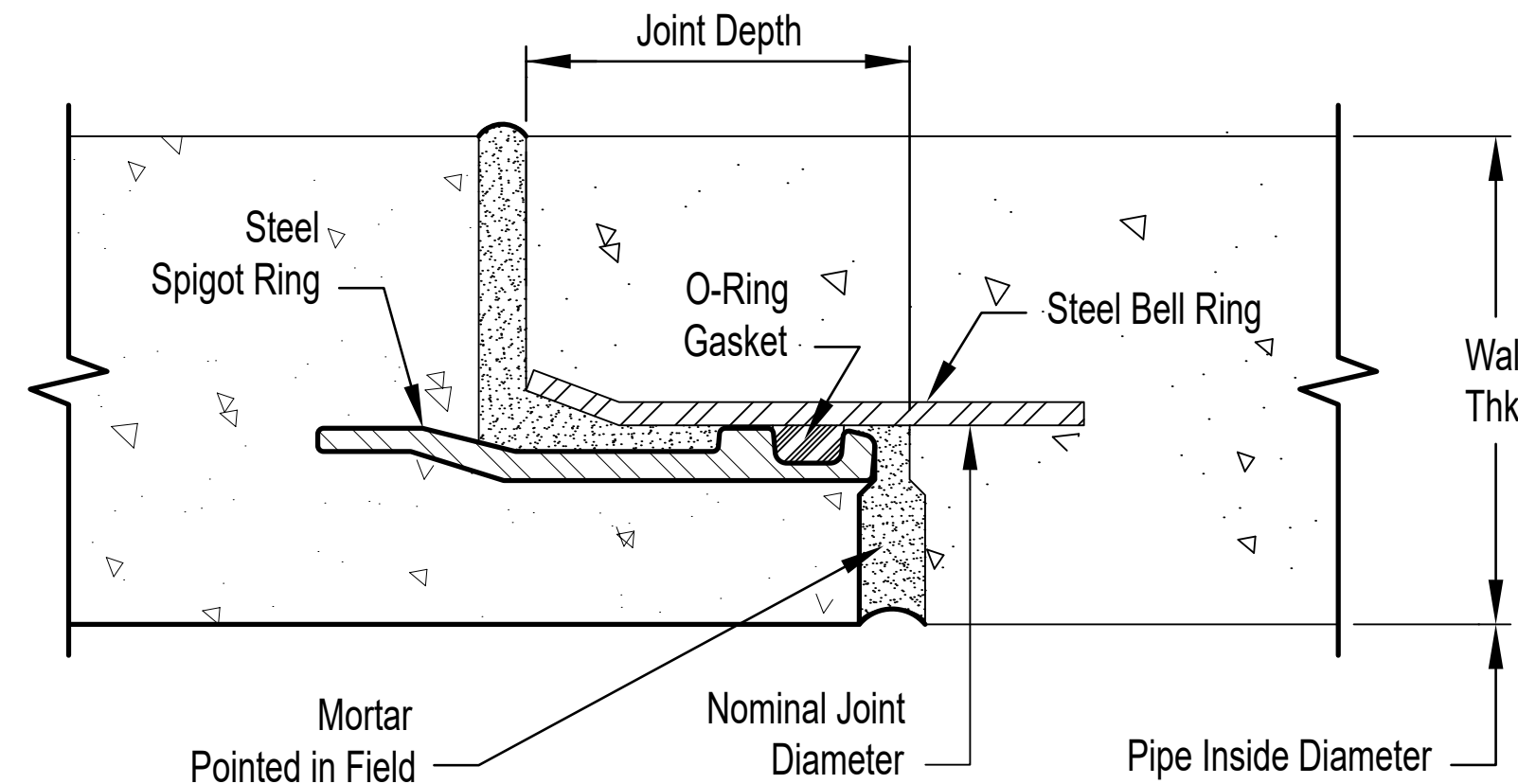
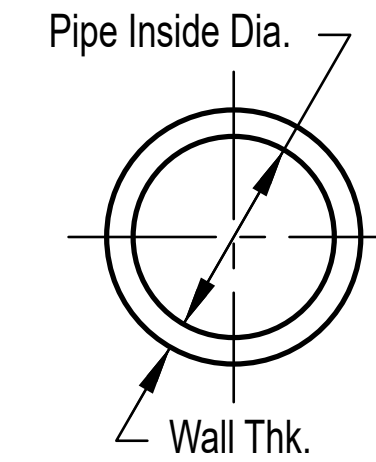


**Reinforced Concrete Pipe w/ Steel Ring Joint**  
**30" - 96" Diameter**



Section Thru Joint



Section Thru Barrel

Table of Dimensions and Weights

Pipe Inside Diameter (Inches)	Wall Thickness (Inches)	Bell Ring Thickness (Inches)	Joint Depth (Inches)	Nominal Joint Dia. (Inches)	Length (Feet)	Weight (Lbs./Ft.)
30	3 1/2	1/4	3 1/2	33	12	384
36	4	1/4	3 1/2	39	12	524
42	4 1/2	1/4	4	45	12	685
48	5	1/4	4 1/8	51 1/4	12	867
54	5 1/2	1/4	4 1/8	57 3/4	12	1071
60	6	1/4	4 1/8	63 7/8	12	1296
66	6 1/2	1/4	4 3/8	70 1/8	12	1542
72	7	1/4	4 1/8	76 3/8	12	1810
78	7 1/2	1/4	4 5/8	82 1/2	8 / 12	2098
84	8 3/4	1/4	5	92	8 / 12	2655
90	8 1/2	1/4	5	94 7/8	8 / 12	2740
96	9	1/4	5	101 1/8	12	3095

Pipe dimensions may vary depending upon equipment availability.

Notes:

1. Pipe manufactured to meet current ASTM and AWWA specifications.
2. Pipe diameters larger than 96" are available.
3. Contact a Concrete Pipe Division representative for details not listed on this sheet.