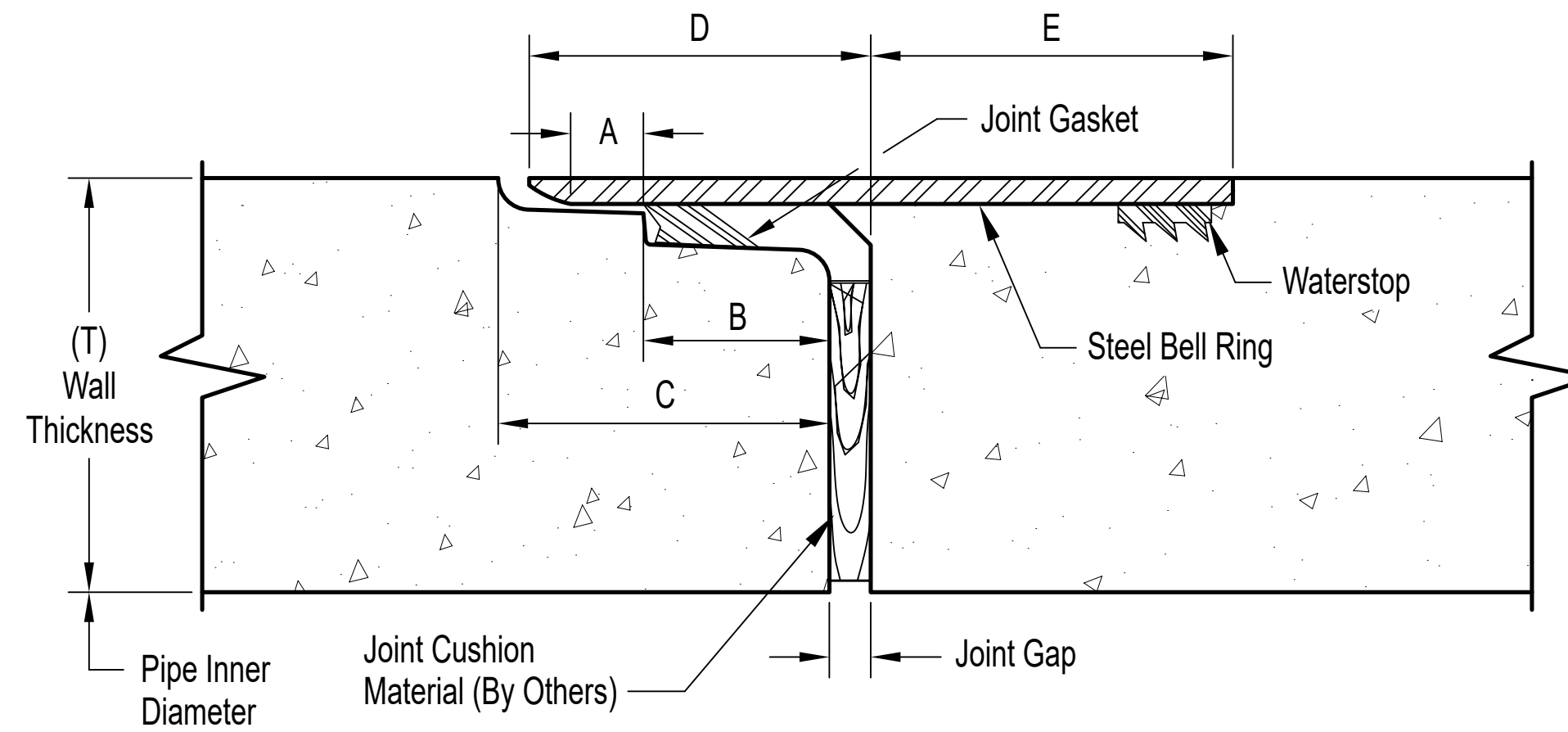


**Reinforced Concrete Jacking Pipe  
 24" - 96" Diameter**



Dia.	T	A	B	C	D	E
24"Ø	3"	7/8"	2 1/4"	3 3/4"	3 7/8"	4 1/8"
30"Ø	3 1/2"	7/8"	2 1/4"	3 3/4"	3 7/8"	4 1/8"
36"Ø	4"	1"	2 1/4"	3 7/8"	4"	4"
42"Ø	4 1/2"	1"	2 1/4"	3 7/8"	4"	4"
48"Ø	5"	1 1/8"	2 1/4"	4"	4 1/8"	4 3/8"
54"Ø	5 1/2"	1 1/8"	2 1/4"	4"	4 1/8"	4 3/8"
60"Ø	6"	1 1/4"	2 1/4"	4 1/8"	4 1/4"	4 3/4"
66"Ø	6 1/2"	1 1/4"	2 1/4"	4 1/8"	4 1/4"	4 3/4"
72"Ø	7"	1 3/8"	2 1/4"	4 1/4"	4 3/8"	5 1/8"
78"Ø	7 1/2"	1 3/8"	2 1/4"	4 1/4"	4 3/8"	5 1/8"
84"Ø	8"	1 1/2"	2 1/4"	4 3/8"	4 1/2"	5 1/2"
90"Ø	8 1/2"	1 1/2"	2 1/4"	4 3/8"	4 1/2"	5 1/2"
96"Ø	9"	1 1/2"	2 1/4"	4 3/8"	4 1/2"	5 1/2"

Pipe dimensions and steel joint band may vary depending upon equipment availability.

Notes:

1. Produced to meet ASTM Specifications.
2. Pipe diameters larger than 96" are available.
3. Contact a Concrete Pipe Division representative for details not listed on this sheet.