

Concrete Arch Pipe
15" - 72" Equivalent Diameter

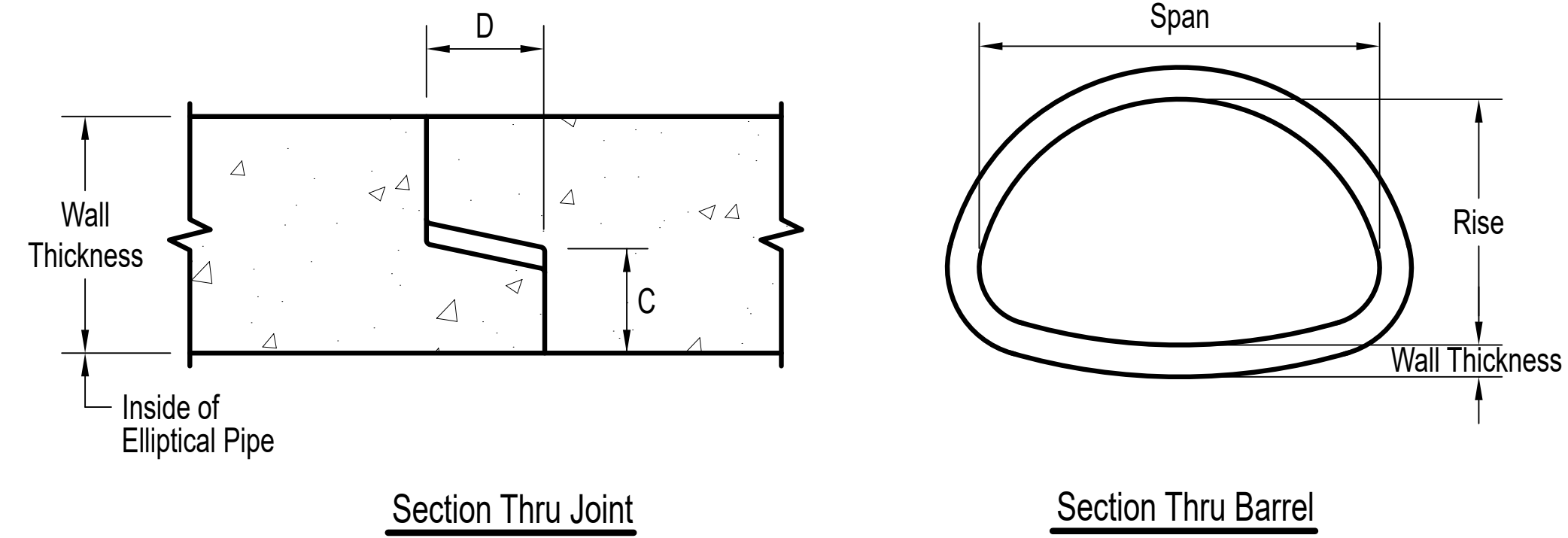


Table Of Dimensions And Weights

Round Equivalent (inches)	Inside Dimension (inches)		Wall Thickness (inches)	C (inches)	D (inches)	Full Flow Water Area (Sq. Ft.)	Approx. Weight (lbs / ft.)
	Rise	Span					
15	11	18	3	1 1/4	2 1/4	1.1	130
18	13 1/2	22	3 1/8	1 7/16	2 1/4	1.65	190
24	18	28 1/2	3 1/2	1 1/2	2 3/4	2.8	350
30	22 1/2	36 1/4	3 1/2	1 5/8	3	4.4	468
36	26 5/8	43 3/4	4	1 3/4	3 1/2	6.4	638
42	31 5/16	51 1/8	4 1/2	1 15/16	3 1/2	8.8	878
48	36	58 1/2	5	2 1/4	3 1/2	11.4	1,110
54	40	65	5 1/2	2 5/8	5	14.3	1,375
60	45	73	6	2 15/16	5	17.7	1,513
72	54	88	7	3 3/16	6	25.6	2,113

Pipe dimensions may vary depending upon equipment availability.

Notes:

1. Produced to meet ASTM Specifications.
2. Contact a Concrete Pipe Division representative for details not listed on this sheet.