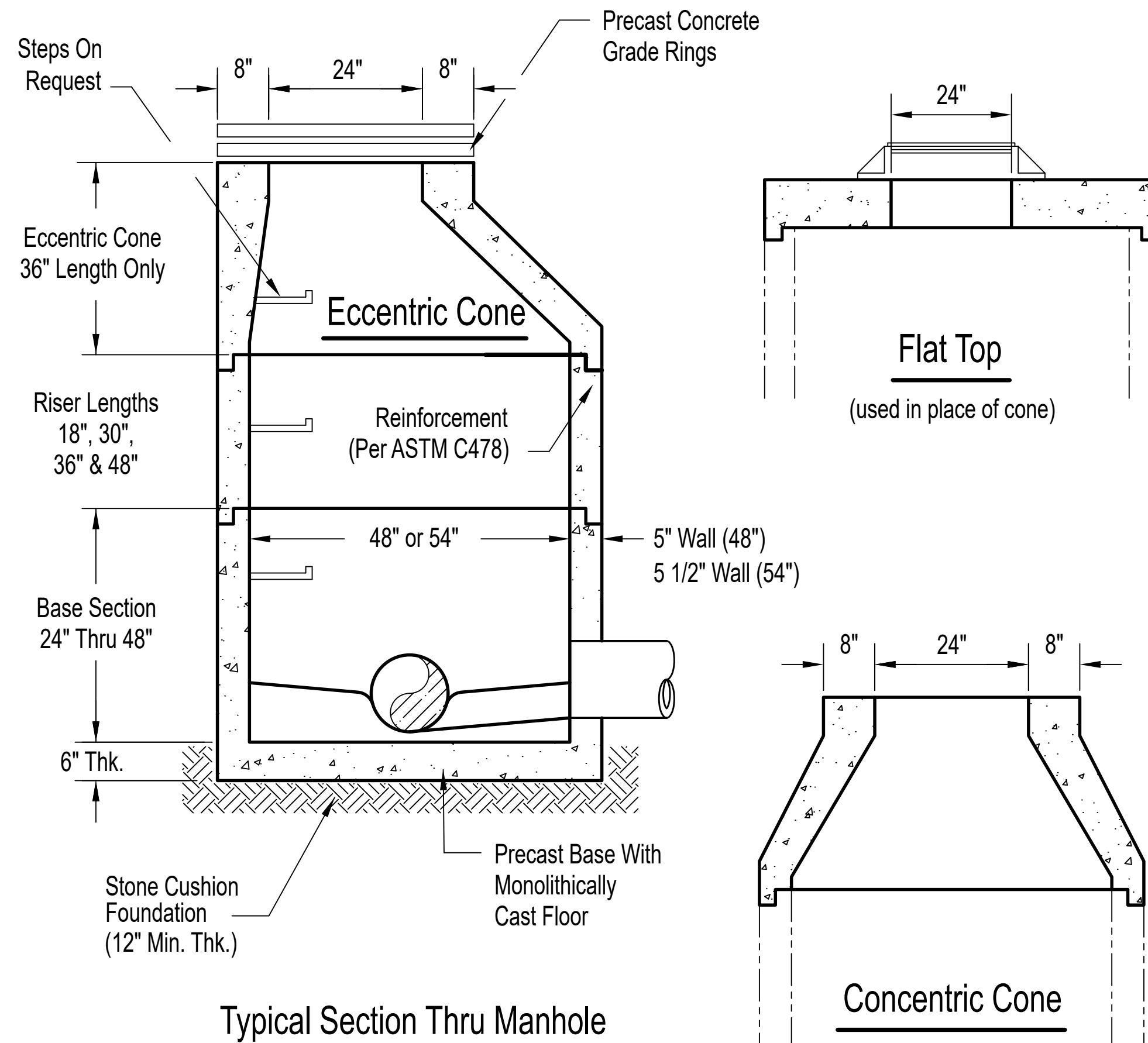


**Typical 48" or 54"
 Diameter Manhole**



Typical Section Thru Manhole

Notes:

1. Produced to meet ASTM specifications.
2. Cones available eccentric or concentric.
3. Additional manhole sizes are available.
4. Contact a Concrete Pipe Division representative for details not listed on this sheet.