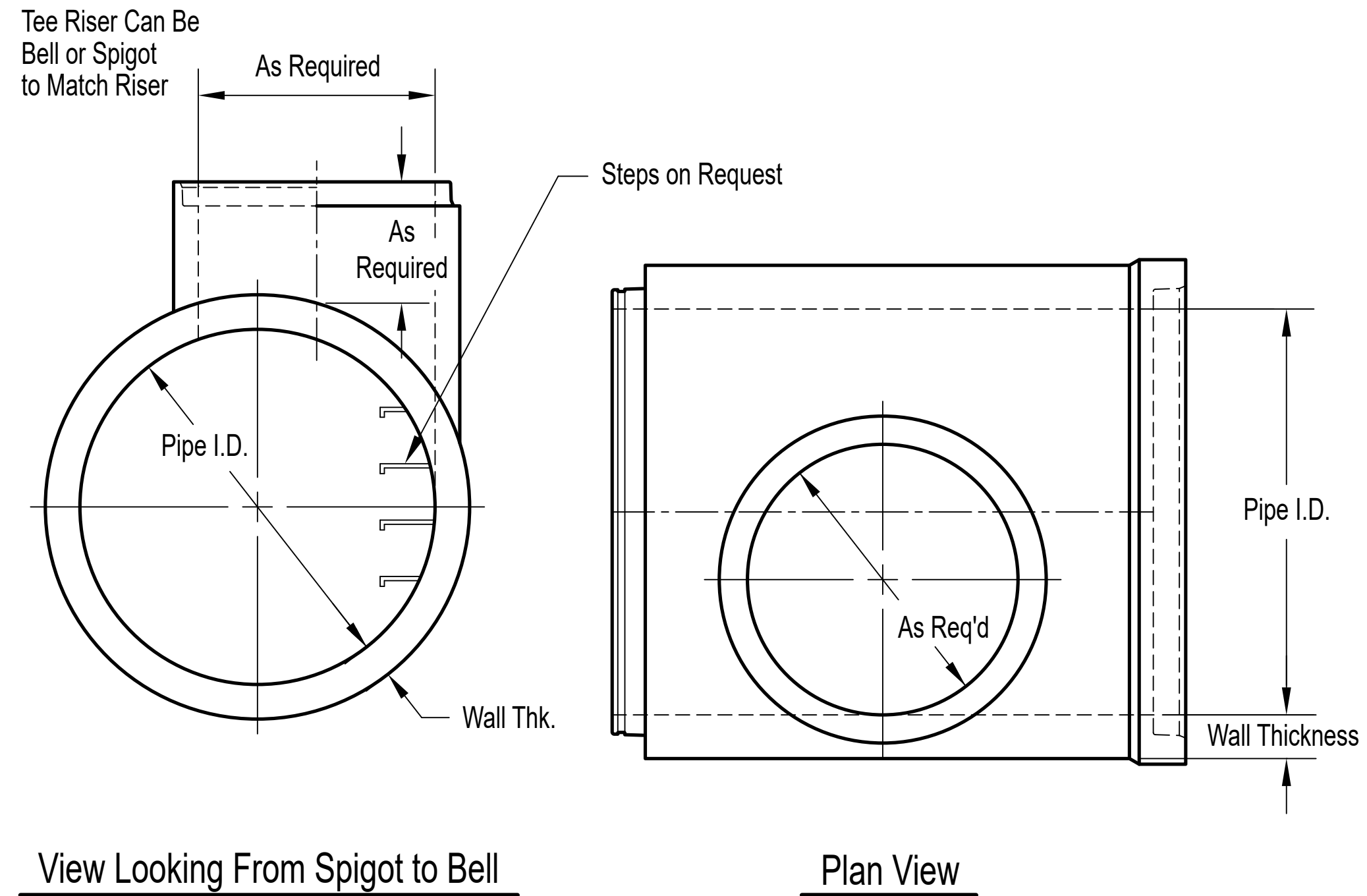


**Reinforced Concrete
 Eccentric Manhole Tee**



Manhole Shown Tangent Right, for
 Manhole Tangent Left Mirror Image Will Apply

Notes:

1. Produced to meet ASTM specifications.
2. Manhole tee's are also available centered.
3. Contact a Concrete Pipe Division representative for details not listed on this sheet.