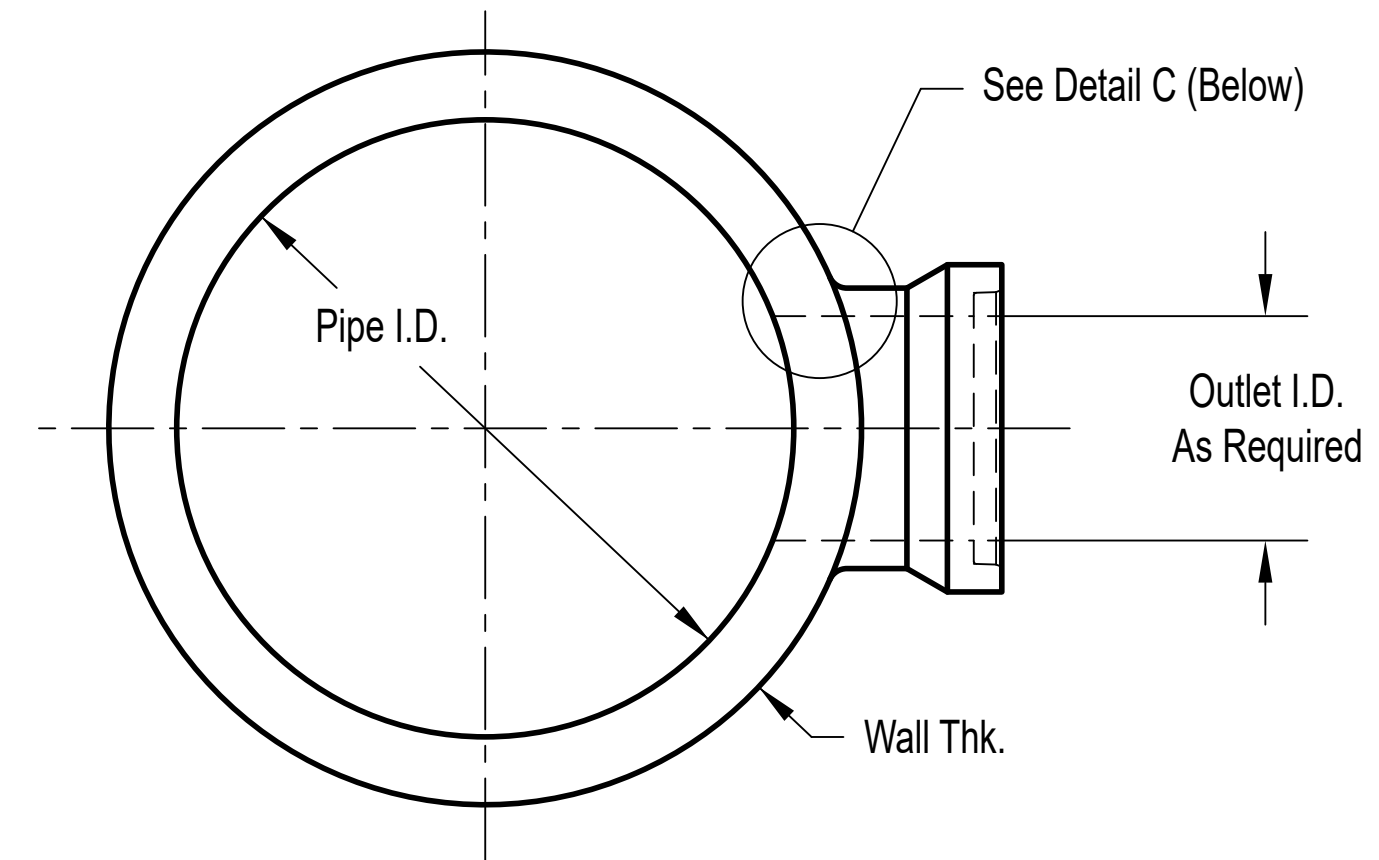
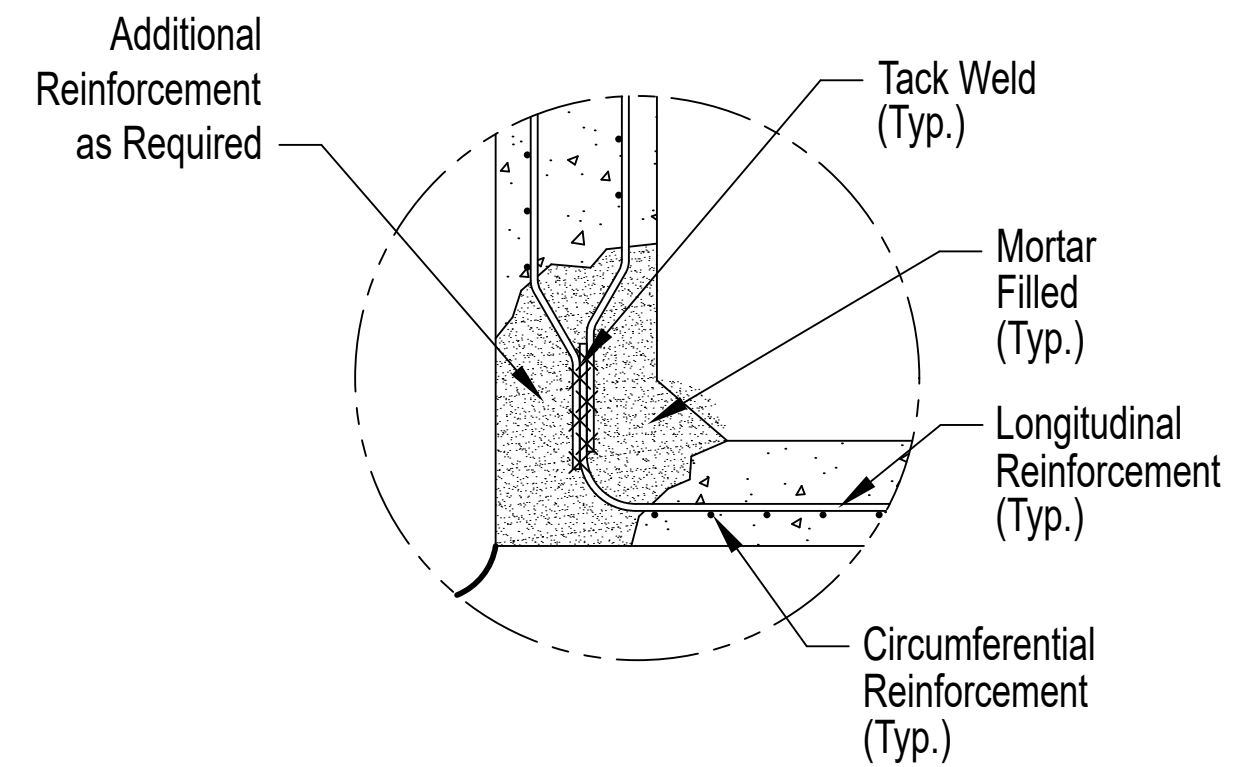


**Reinforced Concrete  
Tee Outlet**



View Looking From Spigot To Bell



Detail C

Notes:

1. Produced to meet ASTM specifications.
2. Contact a Concrete Pipe Division representative for details not listed on this sheet.