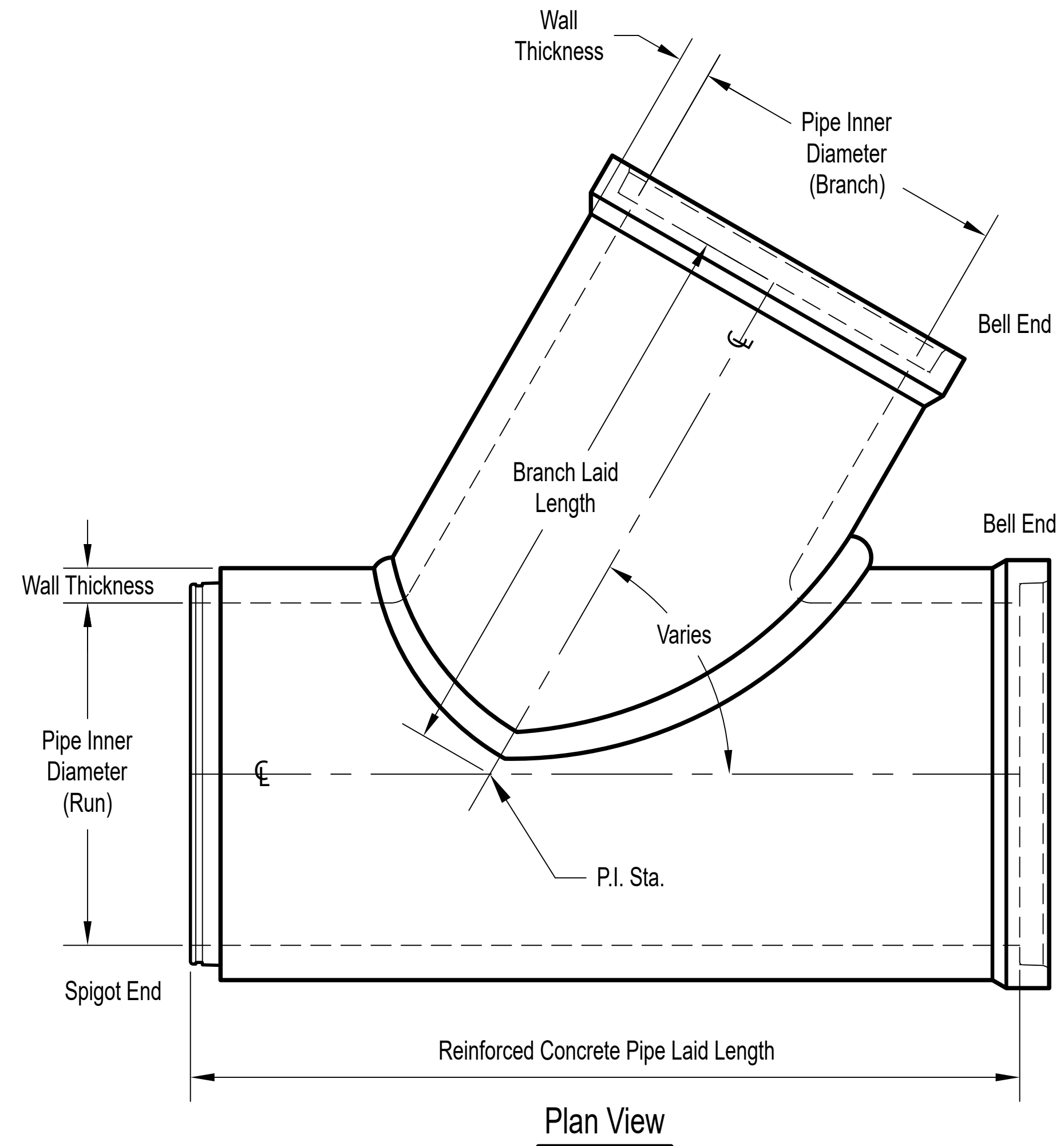


**Reinforced Concrete Wye**



Notes:

1. Produced to meet ASTM specifications.
2. Contact a Concrete Pipe Division representative for details not listed on this sheet.