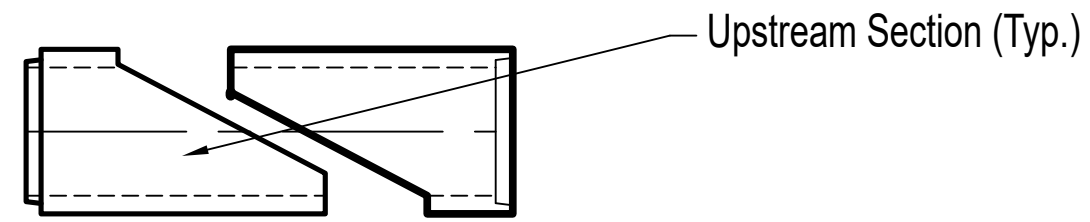
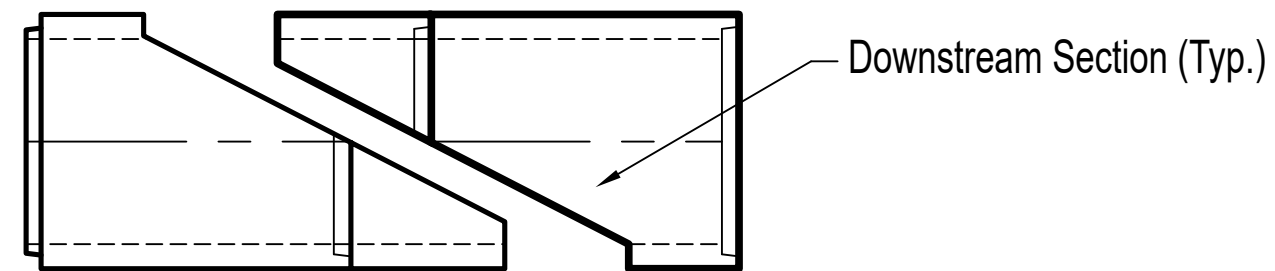


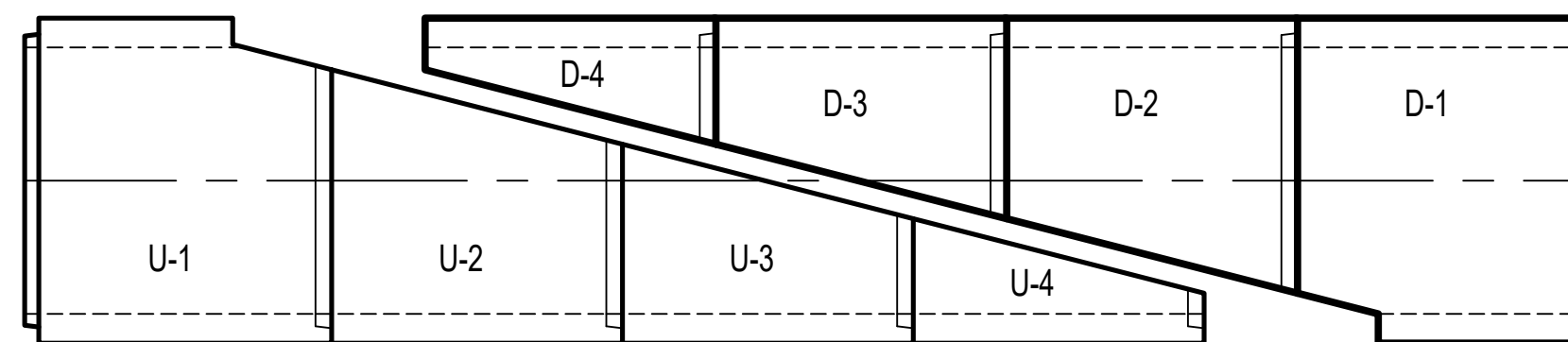
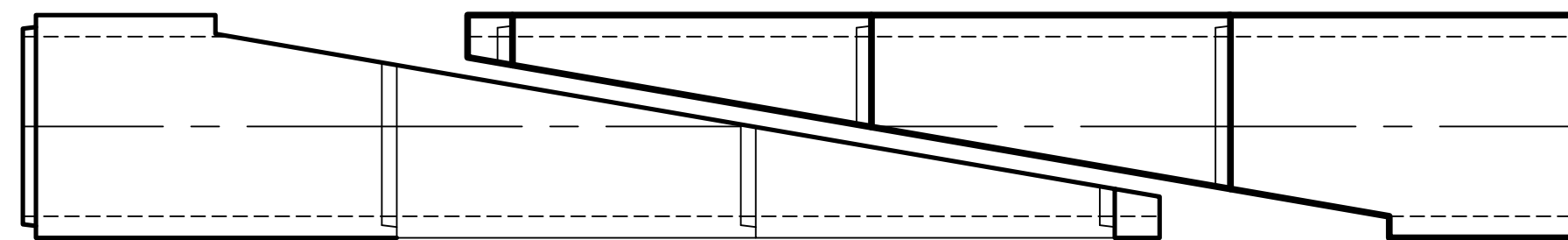
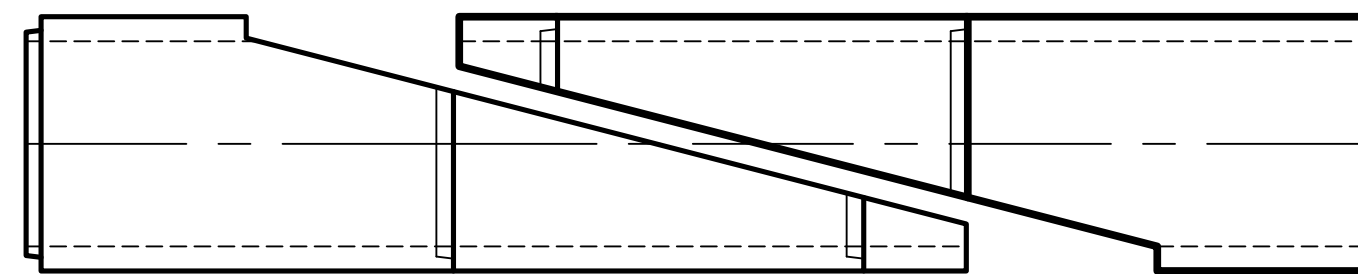
**Reinforced Concrete  
Sloped End Sections**



Type 1



Type 2



Type 5

Notes:

1. Produced to meet ASTM specifications.
2. Contact a Concrete Pipe Division representative for details not listed on this sheet.