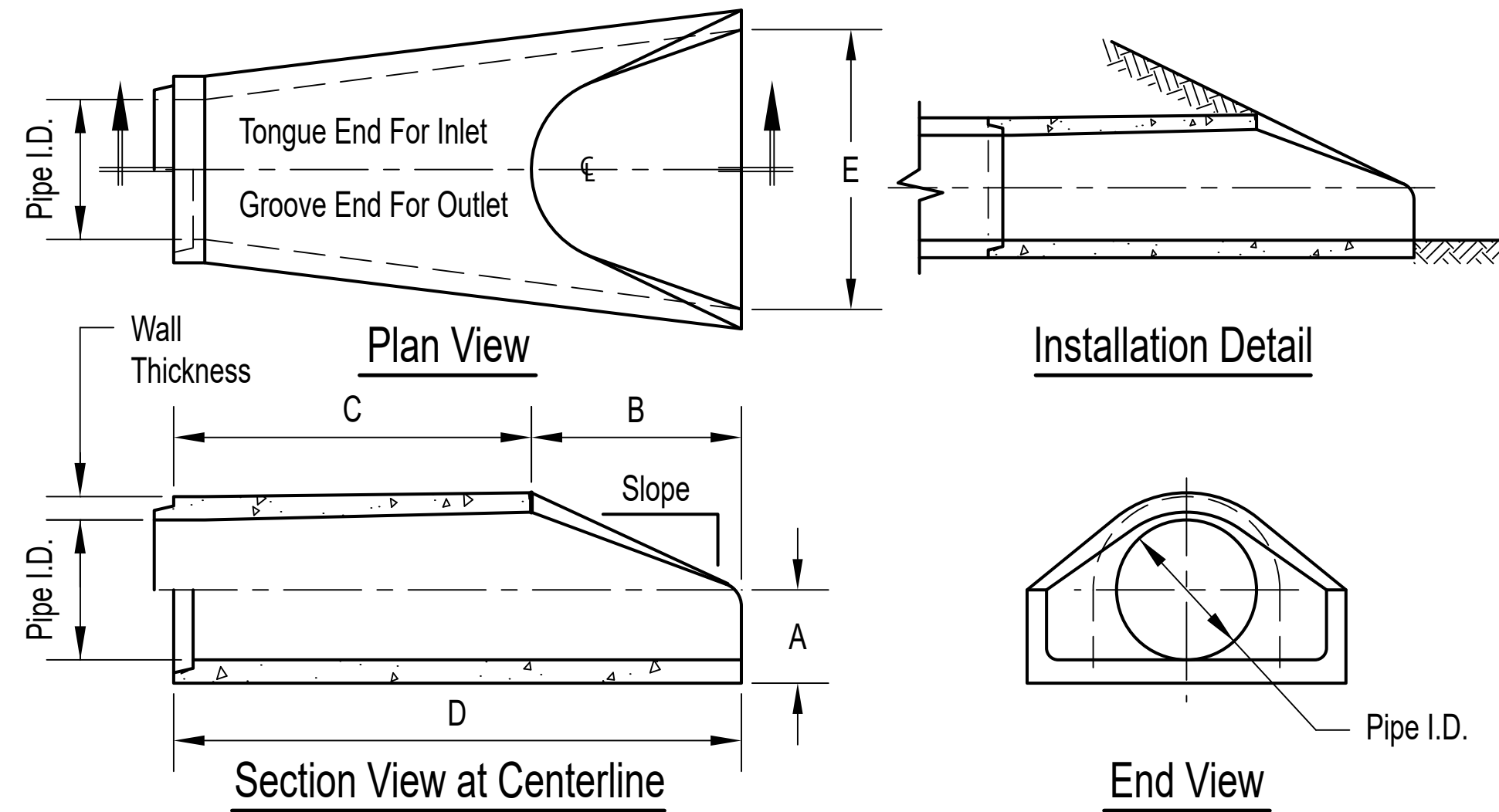


**Flared End Section
 12" - 72" Diameter Pipe**



Pipe Inner Diameter (inches)	Wall Thickness (inches)	A (inches)	B (inches)	C (inches)	D (inches)	E (inches)	Slope
12	2	4	24	48 7/8	72 7/8	30	3:1
15	2 1/4	6	27	46	73	30	3:1
18	2 1/2	9	27	46	73	36	3:1
24	3	9 1/2	43 1/2	30	73 1/2	48	3:1
30	3 1/2	12	54	19 3/4	73 3/4	60	3:1
36	4	15	63	34 3/4	97 3/4	72	3:1
42	4 1/2	21	63	35	98	78	3:1
48	5	24	72	26	98	84	3:1
54	5 1/2	27	65	35	100	90	2.4:1
60	6	30	60	39	99	96	2:1
66	6 1/2	32	78	21	99	102	2:1
72	7	34	78	21	99	108	2:1

Dimensions may vary depending upon equipment availability.

Notes:

1. Produced to meet ASTM specifications.
2. Contact a Concrete Pipe Division representative for details not listed on this sheet.