



C301E

**CONCRETE PRESSURE PIPE (AWWA C301E)**

FACTS



## It has the strength and durability to withstand whatever comes its way.

In Prestressed Concrete Embedded Cylinder Pipe (C301E) prestressing is achieved by helically wrapping, under measured tension and at uniform spacing, a high tensile strength wire around the concrete core. This wire wrap places the concrete core and the embedded cylinder in compression, developing the pipe's ability to withstand specified hydrostatic pressures and external loads without great reliance on the bedding and backfill material.

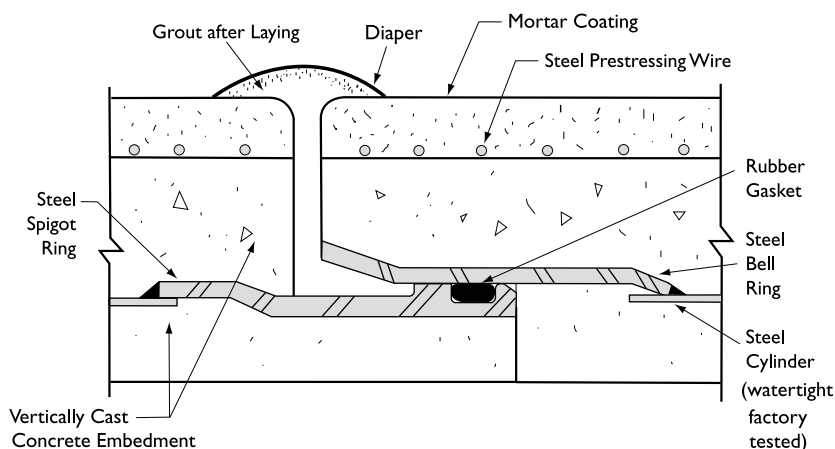
CPP is the only pressure pipe material considered a rigid pipe by design. What this means is that up to 95% of the structure comes with the pipe, not the bedding and backfill constructed on-site.

- Total pipeline solutions - all pipe, fittings, restrainers and accessories come from one source
- Most rugged and toughest pipe available for the water and wastewater industry
- 3rd Party certified - including annual audits of all manufacturing facilities
- Integrated steel wire/cement rich mortar coating for additional strength and bond capacity
- Designed as a Rigid Structure - up to 95% of additional strength comes with the pipe
- Excellent corrosion inhibiting properties - not a barrier coating; but a true embedment and passivation of the metal components including restrainers and accessories
- A range of available joint configurations fabricated with the pipe

AWWA C301E Pipe Data Sheet				
Pipe Dia. (mm)	Actual Pipe I.D. (mm)	Barrel/Bell O.D. (mm)	Standard Lay Length (m)	Approx. Weight (kg/m)
1650	1676	1981	6.096	2225
1800	1829	2159	6.096	2650
1950	1981	2337	6.096	3075
2100	2134	2518	6.096	3550
2250	2286	2670	6.096	3775
2400	2438	2822	6.096	4025
2550	2591	2975	6.096	4325
2700	2743	3140	6.096	4700
2850	2896	3311	6.096	5125
3000	3048	3483	4.877	6025
3150	3200	3686	4.877	6250
3300	3353	3826	4.877	6775
3450	3505	3997	4.877	7375
3600	3658	4169	4.877	7950

C301E in diameters from 1050mm to 1500mm are available upon request.

### Typical Joint Prestressed Embedded Cylinder Pipe (ECP)



**Rinker Materials - Canada**  
 699 Boulevard Industriel  
 Saint-Eustache, QC J7R 6C3  
 450.623.2200



**Guiding Our Greatest Resource... Since 1926**

