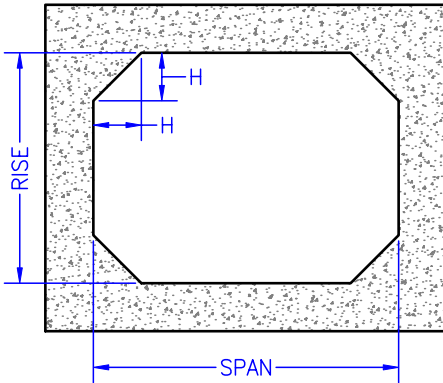
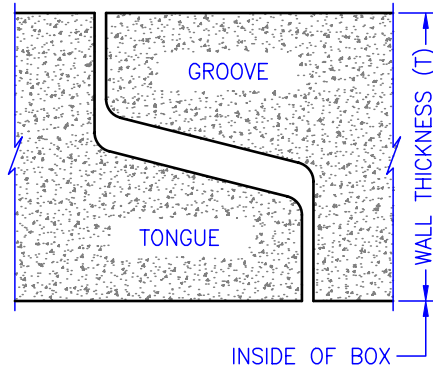


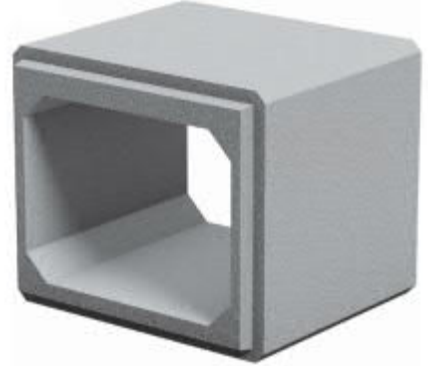
Reinforced Concrete Box Culvert Tongue and Groove Joint



Section Thru Barrel



Section Thru Joint



| | | Standard Box Culvert Approximate Weights (lbs/ft) | | | | | | | | | |
|------------|----------|---|-------|-------|-------|-------|-------|-------|-------|-------|-------|
| | | Span | | | | | | | | | |
| | | 3' | 4' | 5' | 6' | 7' | 8' | 9' | 10' | 11' | 12' |
| Rise | 2' | 600 | 906 | 1,275 | 1,706 | 2,200 | 2,400 | - | - | - | - |
| | 3' | 700 | 1,031 | 1,425 | 1,881 | 2,400 | 2,600 | 3,206 | 3,875 | 4,606 | 5,400 |
| | 4' | - | 1,156 | 1,575 | 2,056 | 2,600 | 2,800 | 3,431 | 4,125 | 4,881 | 5,700 |
| | 5' | - | - | 1,725 | 2,231 | 2,800 | 3,000 | 3,656 | 4,375 | 5,156 | 6,000 |
| | 6' | - | - | - | 2,406 | 3,000 | 3,200 | 3,881 | 4,625 | 5,431 | 6,300 |
| | 7' | - | - | - | - | 3,200 | 3,400 | 4,106 | 4,875 | 5,706 | 6,600 |
| | 8' | - | - | - | - | - | 3,600 | 4,331 | 5,125 | 5,981 | 6,900 |
| | 9' | - | - | - | - | - | - | 4,556 | 5,375 | 6,256 | 7,200 |
| | 10' | - | - | - | - | - | - | - | 5,625 | 6,531 | 7,500 |
| | 11' | - | - | - | - | - | - | - | - | 6,806 | 7,800 |
| | 12' | - | - | - | - | - | - | - | - | - | 8,100 |
| | Wall (T) | | 4" | 5" | 6" | 7" | 8" | 8" | 9" | 10" | 11" |
| Haunch (H) | | 4" | 5" | 6" | 7" | 8" | 8" | 9" | 10" | 11" | 12" |

Notes:

1. Box culvert manufactured to meet current ASTM and AASHTO specifications.

Disclaimer:

The product information contained in this document is believed to be accurate. Please note that not all products are made at all our facilities. For more information, specifics, and product availability, please contact your local sales representative.