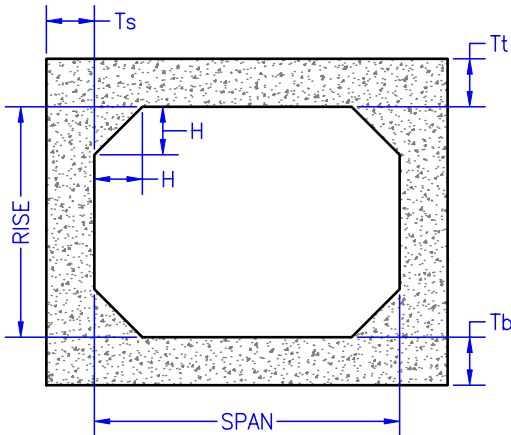
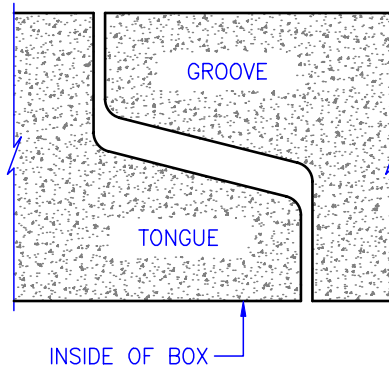


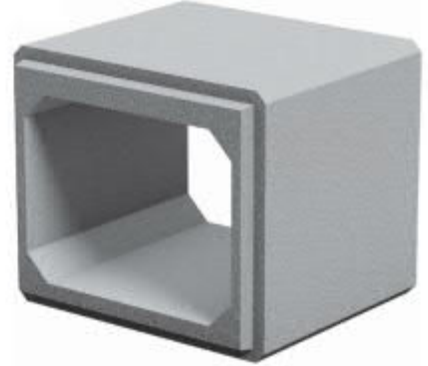
## Reinforced Concrete MEGA Box Culvert Tongue and Groove Joint



**Section Thru Barrel**



**Section Thru Joint**



Standard Box Culvert Approximate Weights (lbs/ft)													
		Span											
		13'	14'	15'	16'	17'	18'	19'	20'	21'	22'	23'	24'
Rise	4'	6,000	6,300	6,600	6,900	7,675	8,000	8,850	9,200	10,125	10,500	11,500	11,900
	5'	6,300	6,600	6,900	7,200	7,975	8,300	9,150	9,500	10,425	10,800	11,800	12,200
	6'	6,600	6,900	7,200	7,500	8,275	8,600	9,450	9,800	10,725	11,100	12,100	12,500
	7'	6,900	7,200	7,500	7,800	8,575	8,900	9,750	10,100	11,025	11,400	12,400	12,800
	8'	7,200	7,500	7,800	8,100	8,875	9,200	10,050	10,400	11,325	11,700	12,700	13,100
Top Sla Thk (Tt)		12"	12"	12"	12"	13"	13"	14"	14"	15"	15"	16"	16"
Bot Slab Thk (Tb)		12"	12"	12"	12"	13"	13"	14"	14"	15"	15"	16"	16"
Side Wall Thk (Ts)		12"	12"	12"	12"	12"	12"	12"	12"	12"	12"	12"	12"
Haunch (H)		12"	12"	12"	12"	12"	12"	12"	12"	12"	12"	12"	12"

**Notes:**

- Box culvert manufactured to meet current ASTM and AASHTO specifications.

**Disclaimer:**

The product information contained in this document is believed to be accurate. Please note that not all products are made at all our facilities. For more information, specifics, and product availability, please contact your local sales representative.