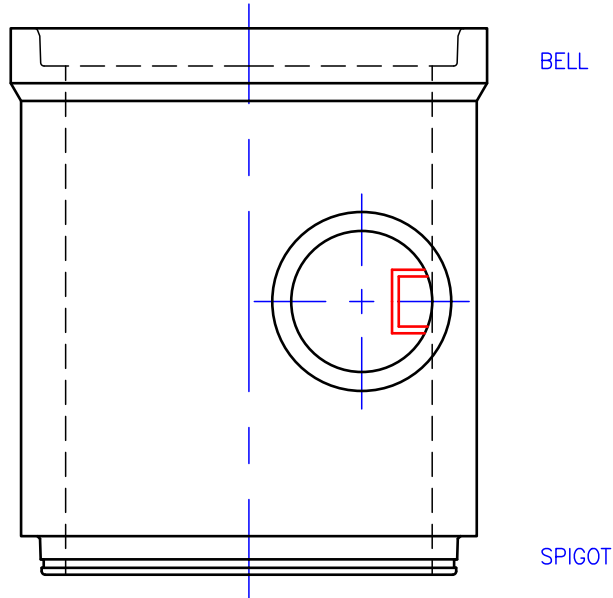
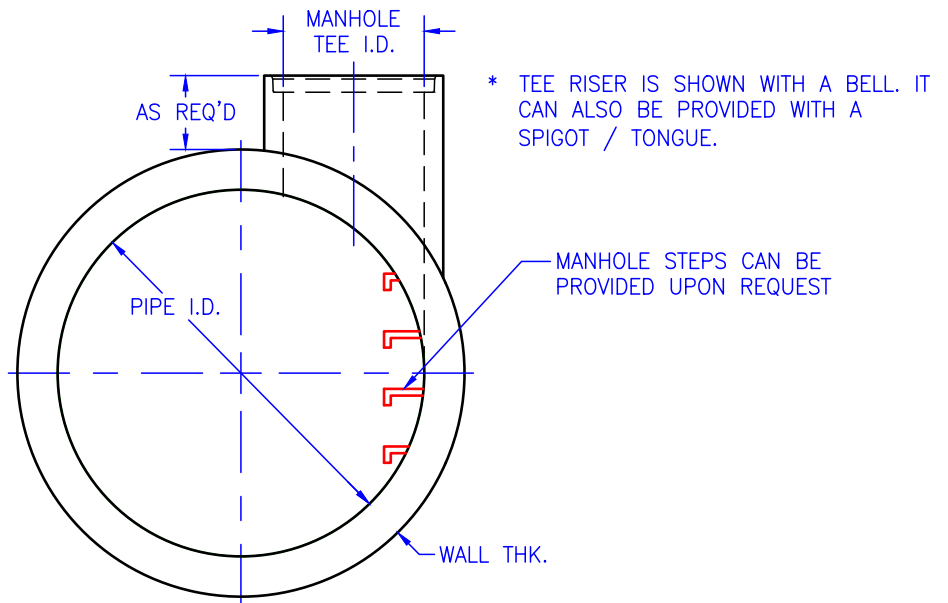


## Reinforced Concrete Pipe Eccentric Manhole Tee



**Plan View**



**End View (Looking from Spigot to Bell)**

**Notes:**

1. Manhole tee may also be available with tongue and groove joints or single offset joints.
2. Concentric manhole tees can also be provided.

**Disclaimer:**

The product information contained in this document is believed to be accurate. Please note that not all products are made at all our facilities. For more information, specifics, and product availability, please contact your local sales representative.