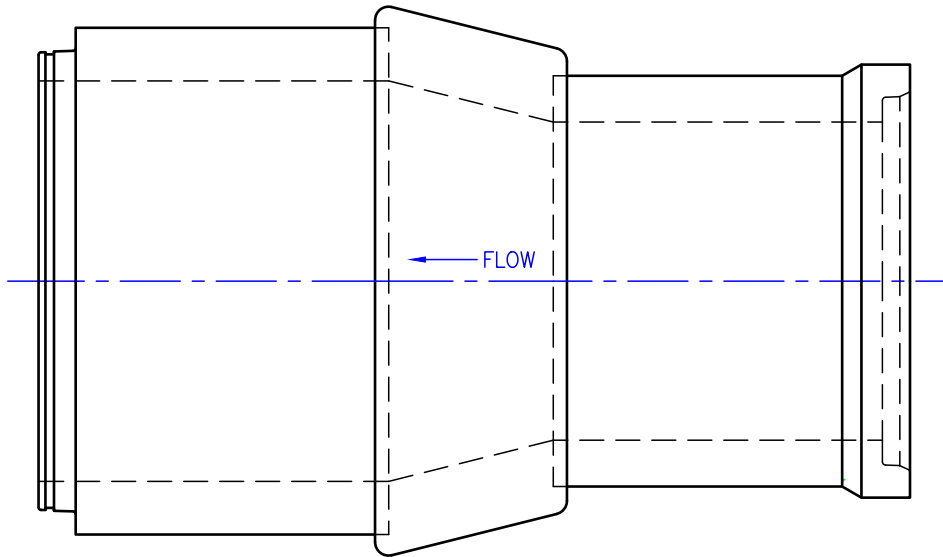
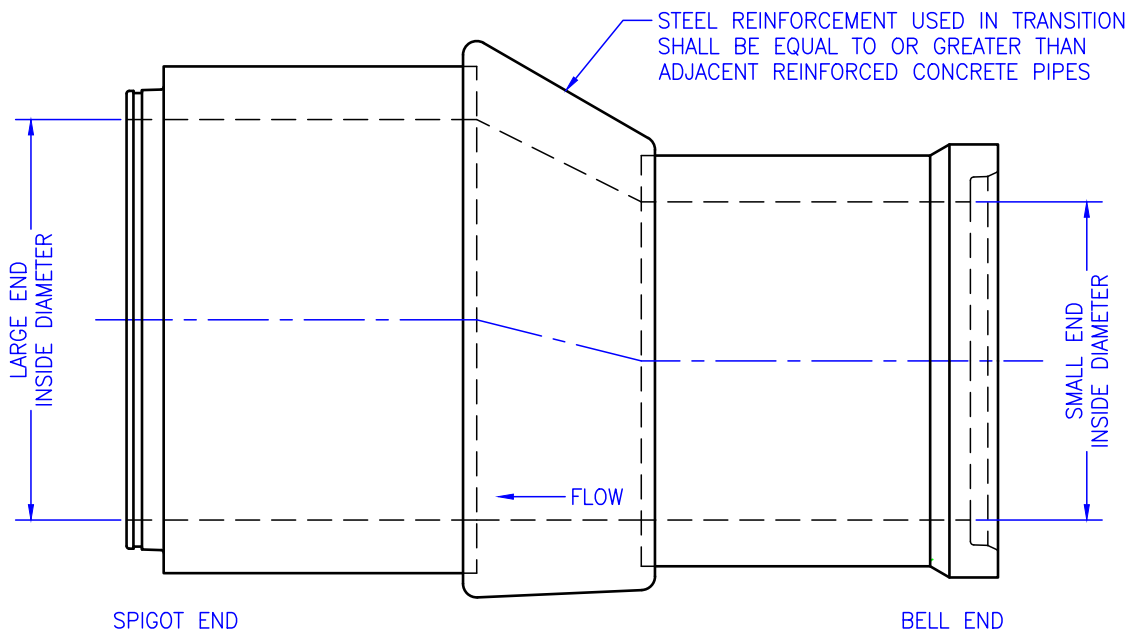


Reinforced Concrete Pipe Eccentric Reducer



Plan View



Elevation View

Notes:

1. Reducers may also be available with tongue and groove joints or single offset joints.

Disclaimer:

The product information contained in this document is believed to be accurate. Please note that not all products are made at all our facilities. For more information, specifics, and product availability, please contact your local sales representative.