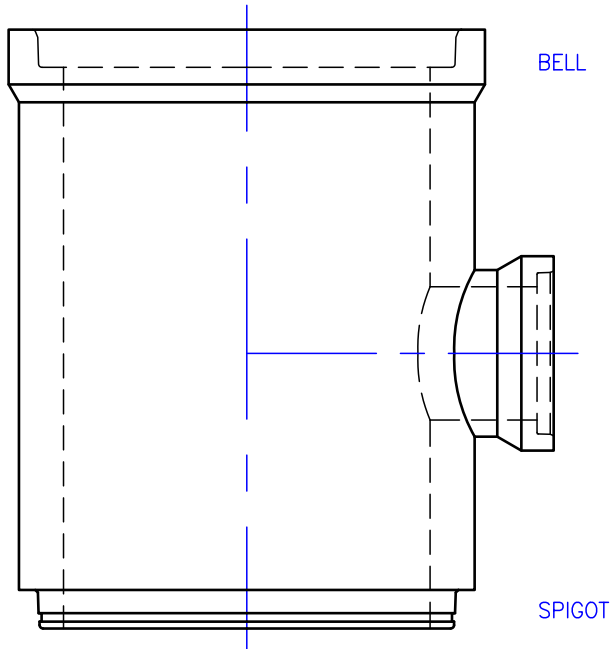
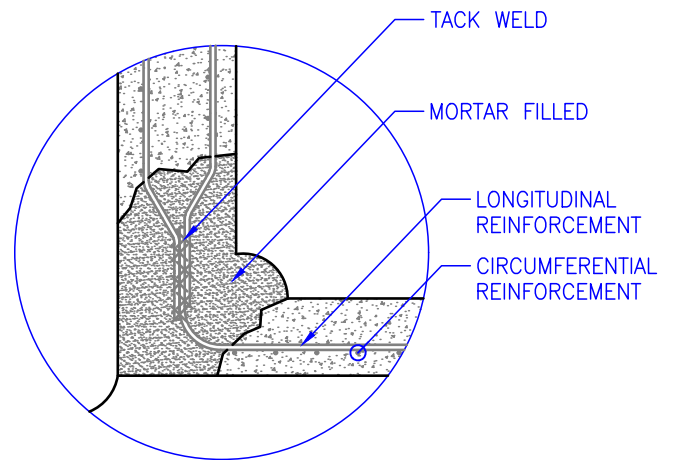
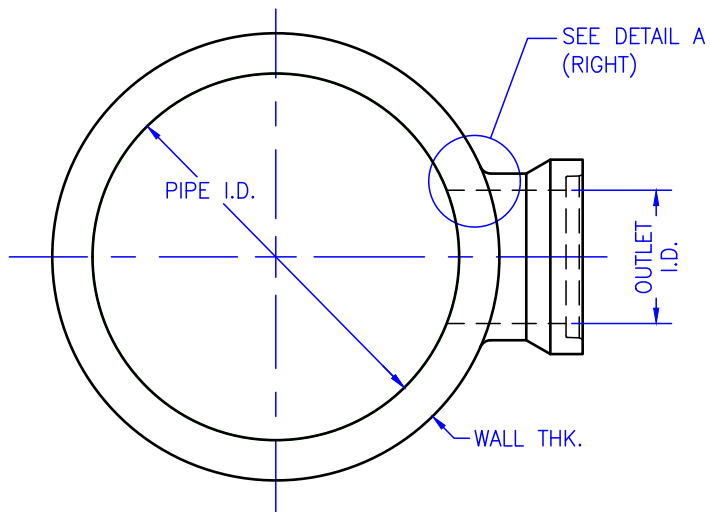


Reinforced Concrete Pipe Tee Outlet / Lateral



Plan View



Detail A

End View (Looking from Spigot to Bell)

Notes:

1. Tee outlets may also be available with tongue and groove joints or single offset joints.
2. The tee outlet above is shown concentric. Eccentric tee outlets are also available.

Disclaimer:

The product information contained in this document is believed to be accurate. Please note that not all products are made at all our facilities. For more information, specifics, and product availability, please contact your local sales representative.