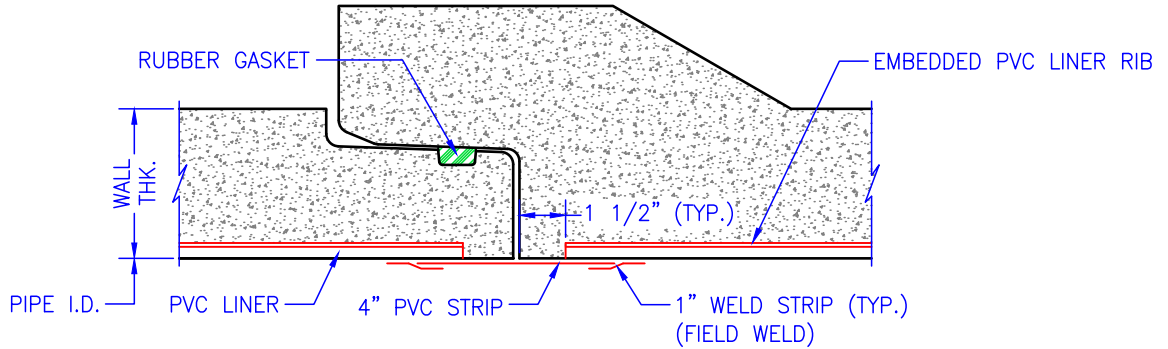
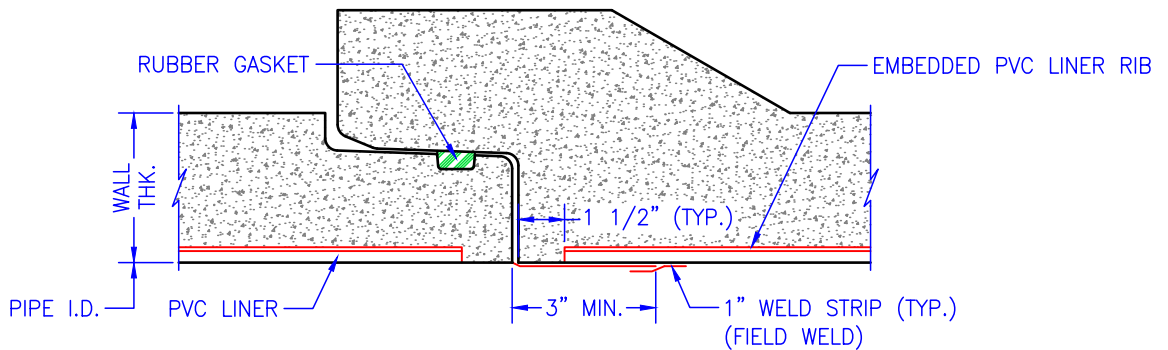


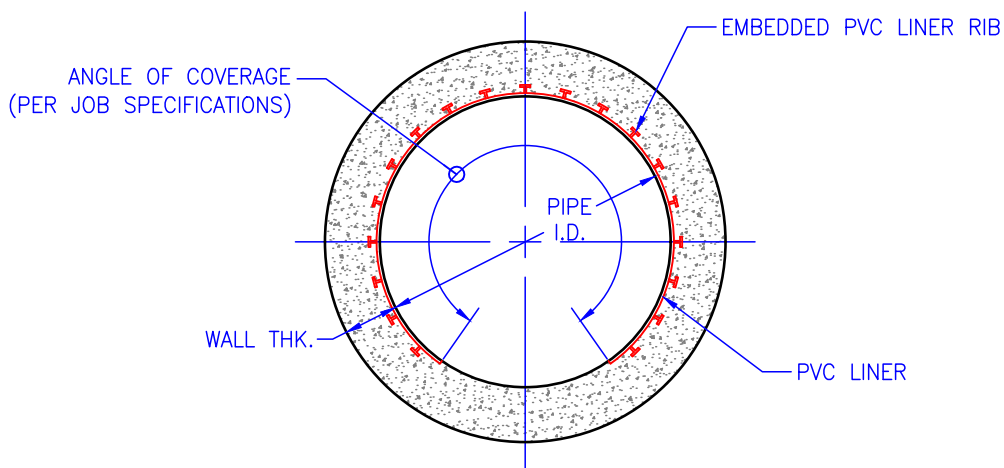
## Reinforced Concrete Pipe with PVC Liner



**Type P-1 PVC Joint**



**Type P-2 PVC Joint with Integral Flap**



**Section Thru Barrel**

**Notes:**

1. Reinforced concrete pipe manufactured to meet current ASTM specifications.

**Disclaimer:**

The product information contained in this document is believed to be accurate. Please note that not all products are made at all our facilities. For more information, specifics, and product availability, please contact your local sales representative.