

Index

Catch Basins & Ditch Inlets

E

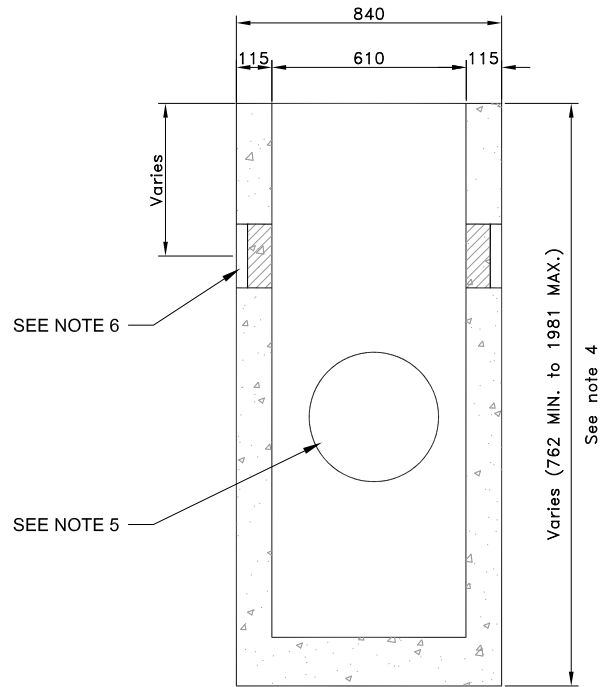
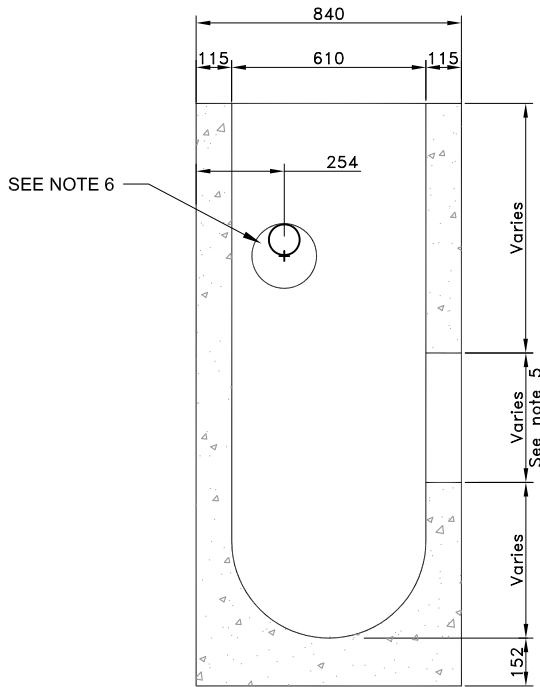
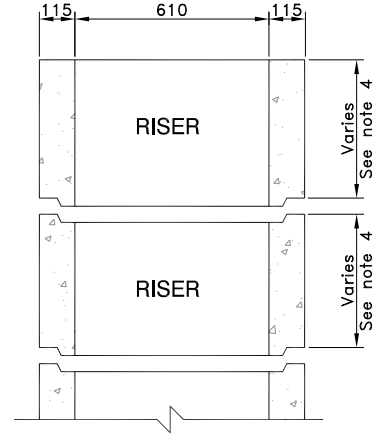
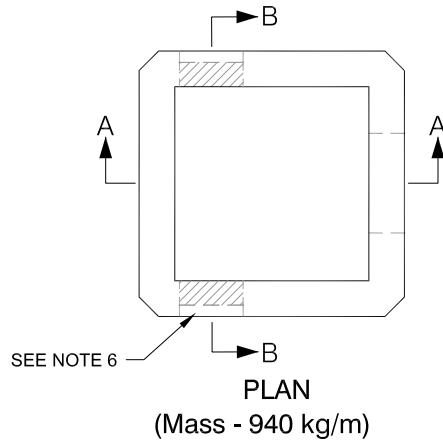
Catch Basins

600 x 600mm Single Catch Basin-OPSD 705.010	E-1
600 x 1450mm Twin Inlet Catch Basin-OPSD 057.020	E-2
600 x 840mm Curb Inlet Catch Basin-ASTM C478	E-3
Polyethylene Goss Trap Detai	E-4

Ditch Inlets

600 x 600mm Ditch Inlet-OPSD 705.030	E-5
600 x 1200mm Ditch Inlet-OPDS 705.040	E-6





SECTION A - A

SECTION B - B

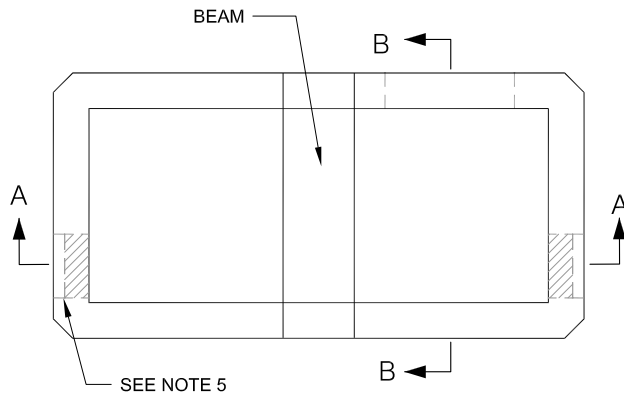
NOTES:

1. Manufactured in accordance with OPSD 705.010.
2. Available with 150mm wall thickness. (Mass - 1220 kg/m)
3. Available with Goss Trap installed. See page E-4.
4. Riser sections are available with 0.305, 0.457, 0.610, 0.914 and 1.219m heights.
5. Standard outlet opening is 350mm diameter.
6. "Quick-Drain Connect" insert to accommodate subdrain connection. Location can vary if required.
7. 25mm weepholes can be added if required.
8. All dimensions in millimeters, unless otherwise shown.

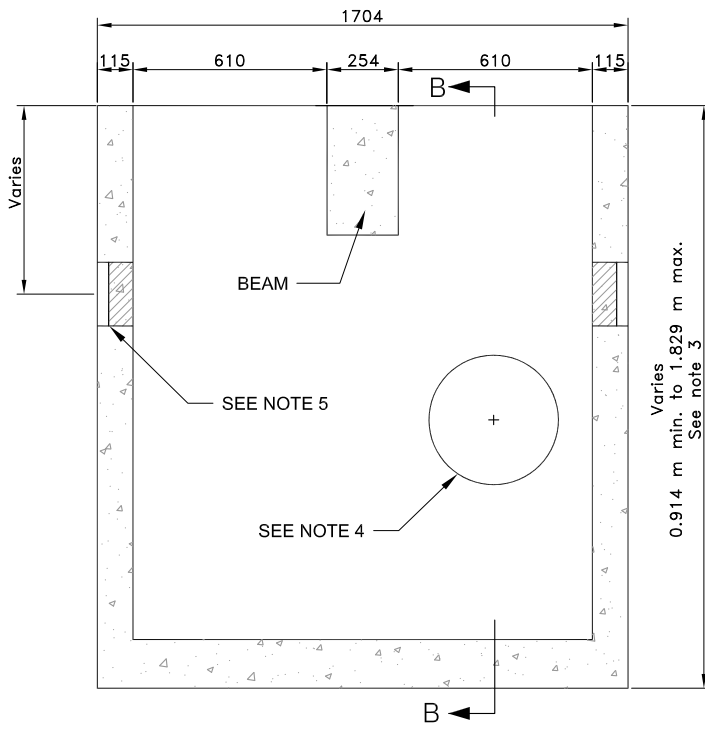
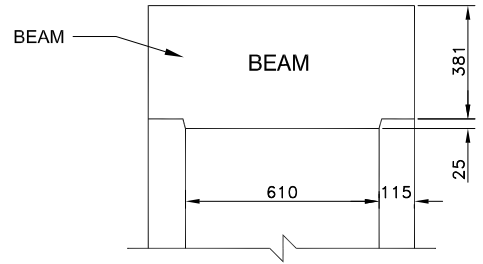
The product information contained in this document is believed to be accurate. Please note that not all products are made at all our facilities. For more information, specifics, and product availability, please contact your local sales representative.

TITLE		PLANT	PROVINCE	DATE	SECTION PAGE
600 x 600mm Single Catch Basin		CAMBRIDGE OTTAWA	ON	2023	E-1

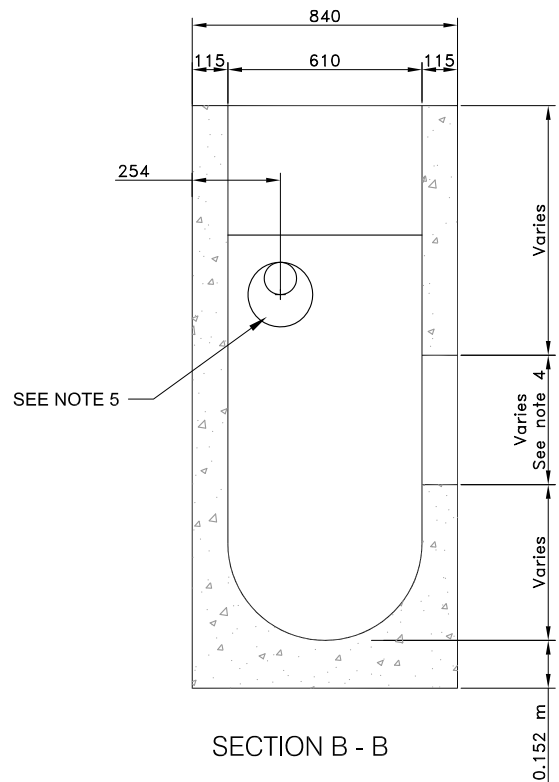




PLAN
(Mass - 1640 kg/m)



SECTION A - A



SECTION B - B

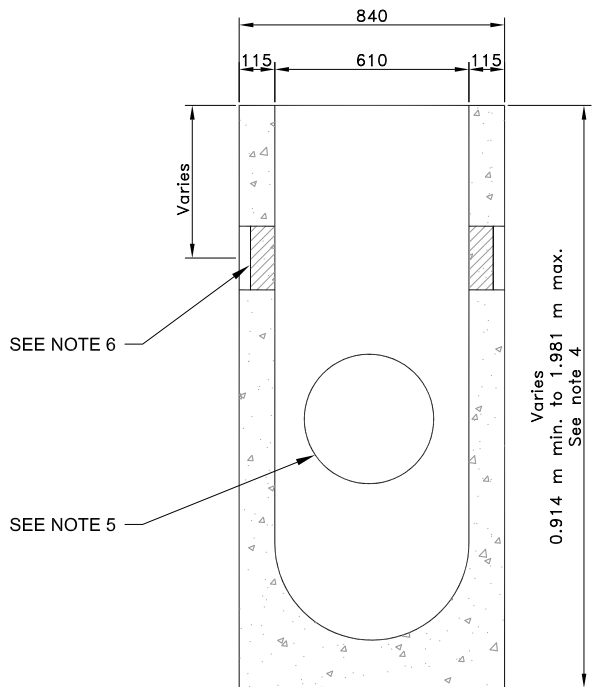
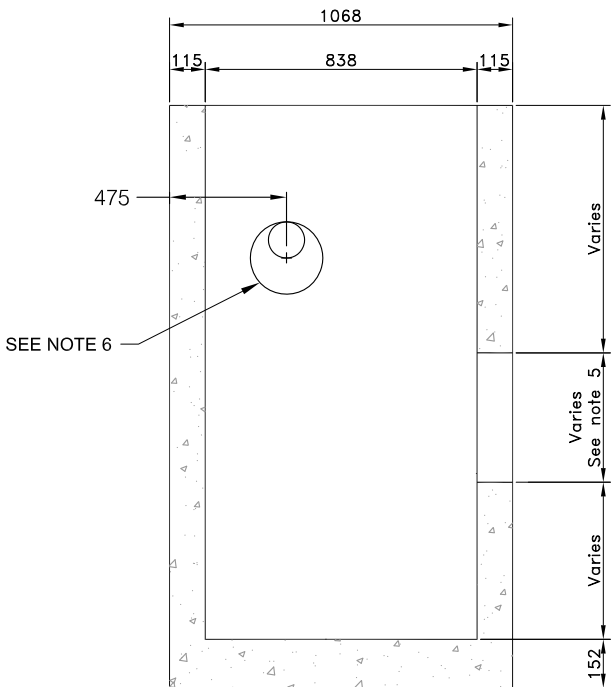
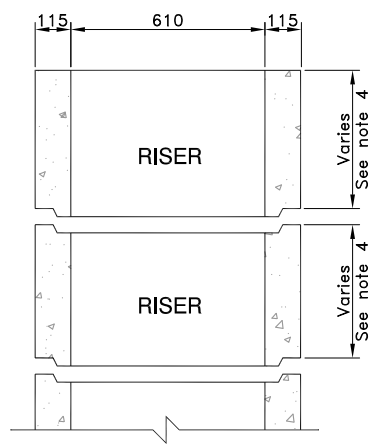
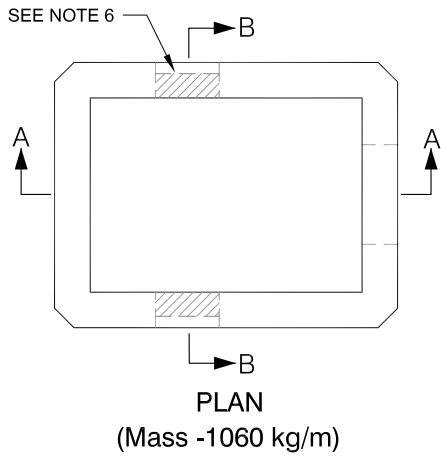
NOTES:

1. Manufactured in accordance with OPSD 705.020.
2. Available with Goss Trap installed. See page E-4.
3. Overall height can be increased using two single catch basin risers placed side by side. See page E-1 for available riser heights.
4. Standard outlet opening is 400mm diameter.
5. "Quick-Drain Connect" insert to accommodate subdrain connection.
Location can vary if required.
6. 25mm weepholes can be added if required.
7. All dimensions in millimeters, unless otherwise shown.

The product information contained in this document is believed to be accurate. Please note that not all products are made at all our facilities. For more information, specifics, and product availability, please contact your local sales representative.

TITLE		PLANT	PROVINCE	DATE	SECTION PAGE
600 x 1450mm Twin Inlet Catch Basin		CAMBRIDGE OTTAWA	ON	2023	E-2





SECTION A - A

SECTION B - B

NOTES:

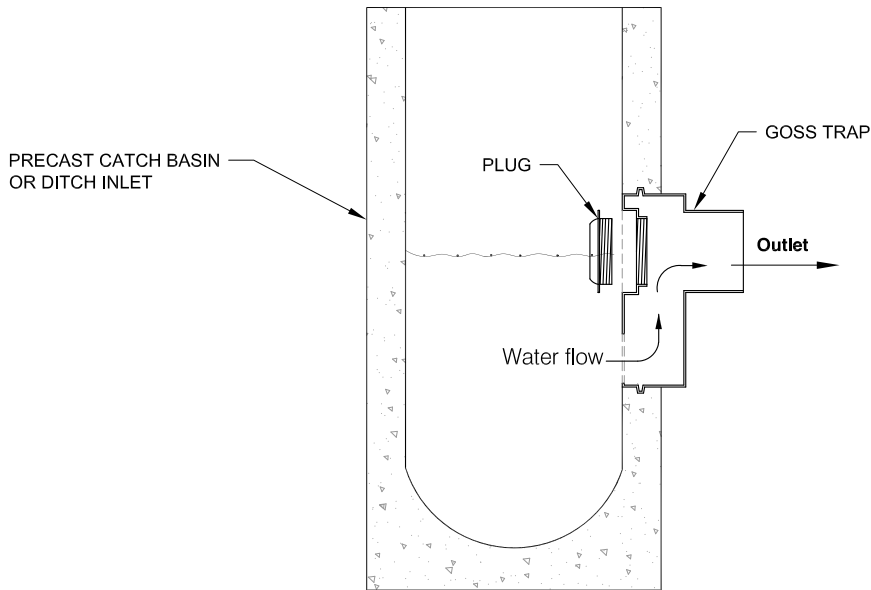
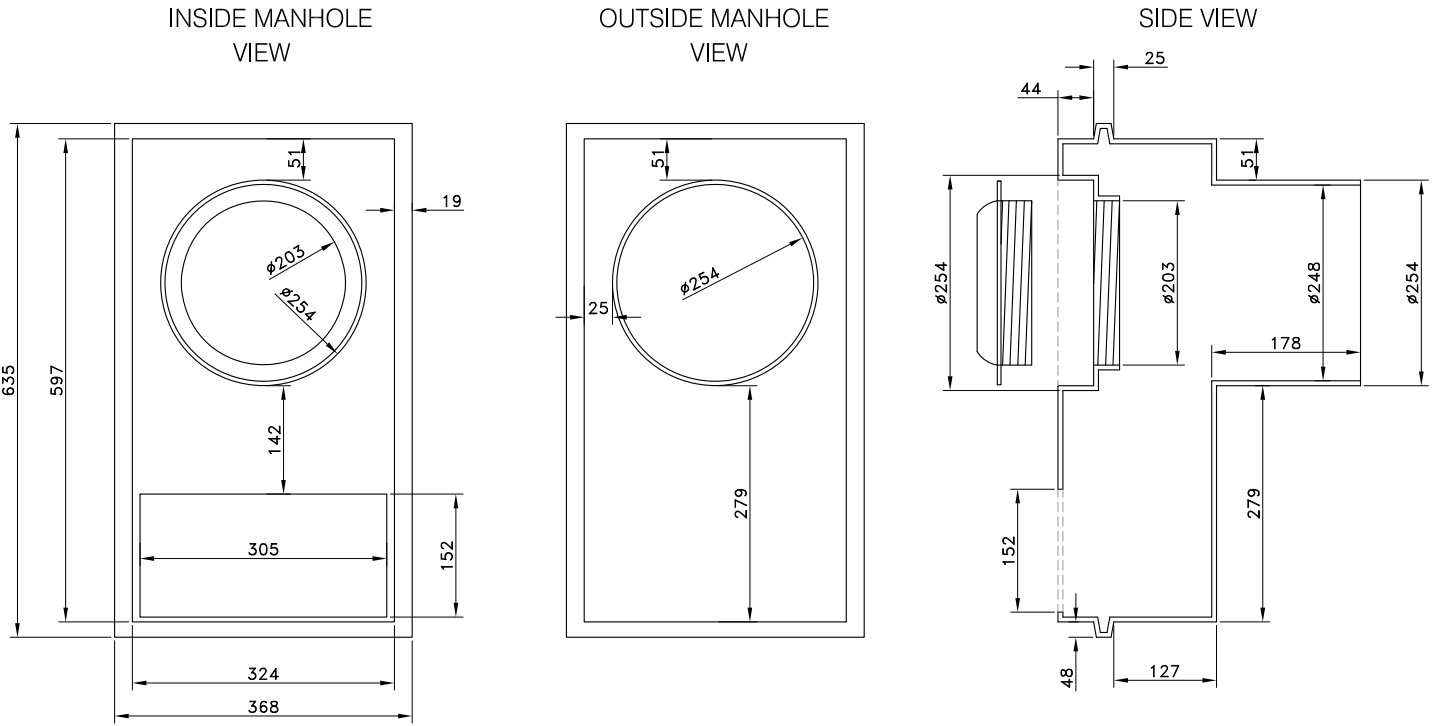
1. Manufactured to OPSS specification.
2. Concrete strength - 30 MPa
3. Available with Goss Trap installed. See page E-4.
4. Riser sections are available with 0.305, 0.457, 0.610, 0.914 and 1.219m heights
5. Standard outlet opening is 400mm diameter.
6. "Quick-Drain Connect" insert to accommodate subdrain connection.
Location can vary if required.
7. All dimensions in millimeters, unless otherwise shown.

The product information contained in this document is believed to be accurate. Please note that not all products are made at all our facilities. For more information, specifics, and product availability, please contact your local sales representative.

©2023 Rinker Materials

Rinker 013 - 03/2023

TITLE		PLANT	PROVINCE	DATE	SECTION PAGE
 600 x 840mm Curb Inlet Catch Basin		CAMBRIDGE OTTAWA	ON	2023	E-3



NOTES:

1. As illustrated in the diagram above, the goss trap helps prevent substances floating on the surface (i.e. gas, oil, leaves, branches, etc.) from entering the pipe.
2. For other applications contact our Engineering Department.
3. All Dimensions in millimeters, unless otherwise shown.

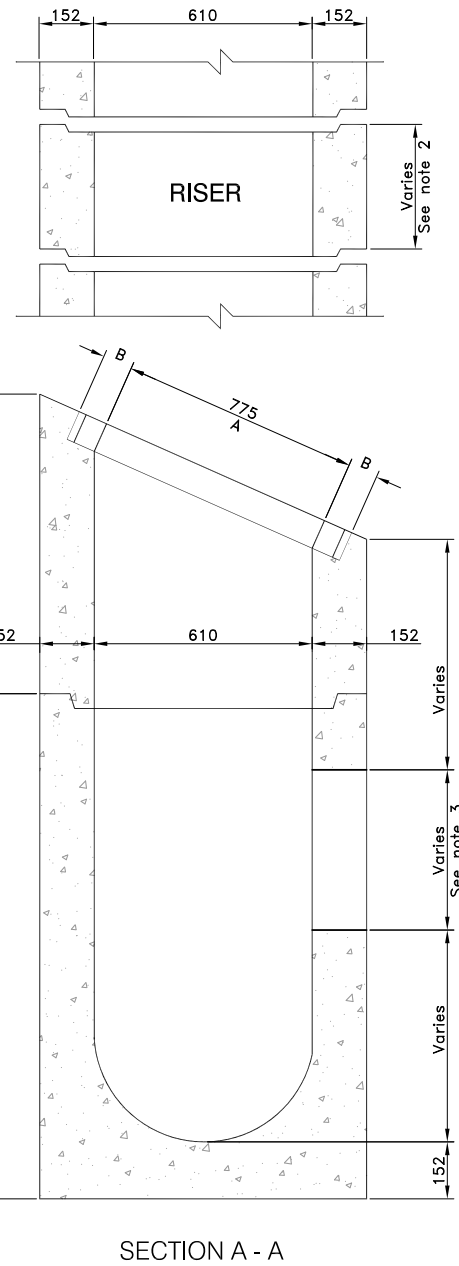
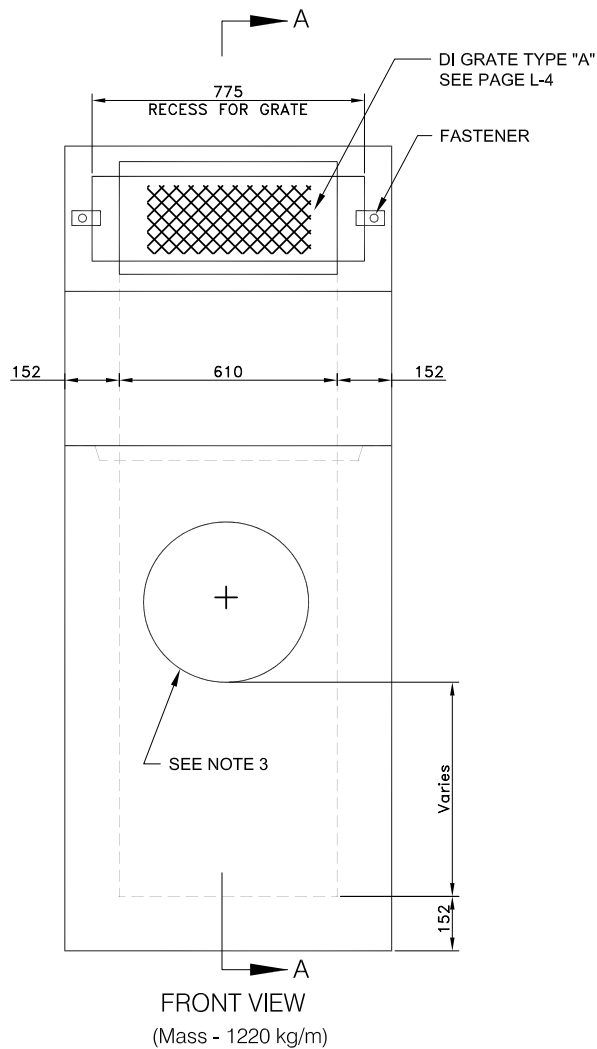
The product information contained in this document is believed to be accurate. Please note that not all products are made at all our facilities. For more information, specifics, and product availability, please contact your local sales representative.

©2023 Rinker Materials

Rinker 013 - 03/2023

TITLE		PLANT	PROVINCE	DATE	SECTION PAGE
Polyethylene Goss Trap Detail		CAMBRIDGE OTTAWA	ON	2023	E-4






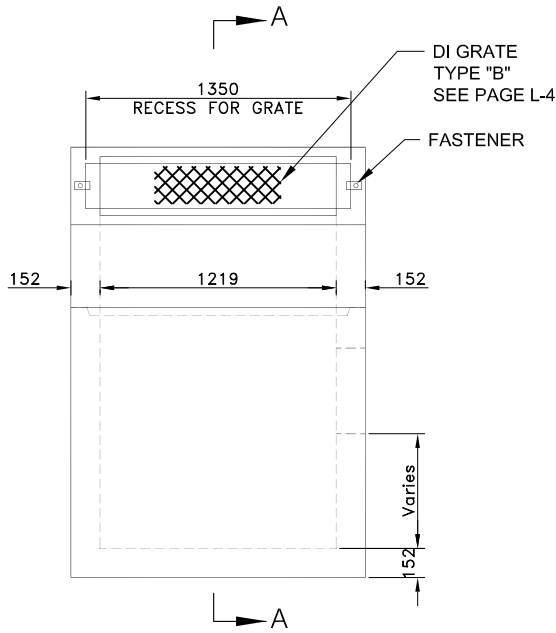
Slope of Grate	Dimensions	
	A	B
2:1	670	52
3:1	632	72
4:1	618	79
6:1	608	83
8:1	605	85
10:1	603	86
Horizontal	600	87

NOTES:

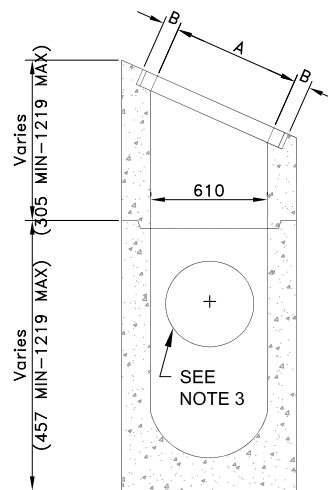
1. Manufactured in accordance with OPSD 705.030.
Depth - 4.0 m maximum.
2. Riser sections are available in heights of 0.305, 0.610, 0.914 and 1.219 m.
3. Standard outlet opening is 400 mm diameter.
4. All dimensions are in millimeters, unless otherwise shown.

The product information contained in this document is believed to be accurate. Please note that not all products are made at all our facilities. For more information, specifics, and product availability, please contact your local sales representative.

	TITLE	PLANT	PROVINCE	DATE	SECTION PAGE
	<p>600 x 600mm Ditch Inlet</p>	CAMBRIDGE OTTAWA	ON	2023	E-5



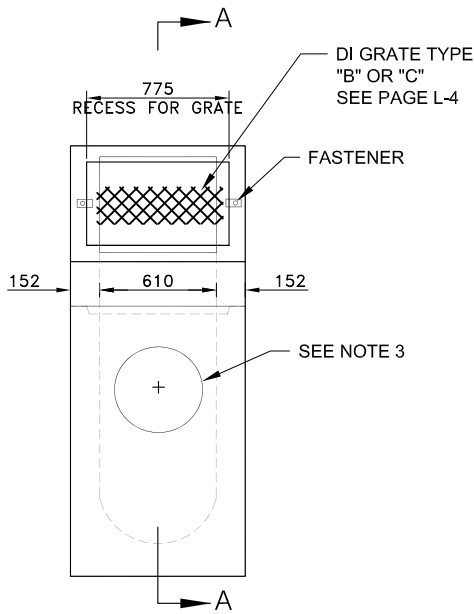
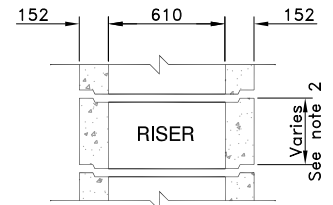
FRONT VIEW



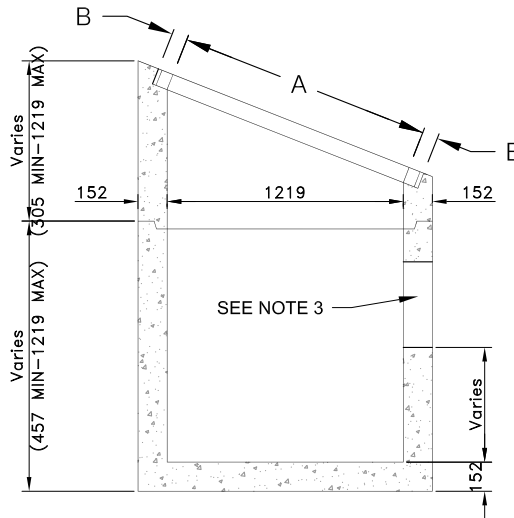
SECTION A - A

Slope of Grate	Dimensions	
	A	B
2:1	670	52
3:1	632	72
4:1	618	79
Horizontal	600	87

(Mass - 1785 kg/m)
TYPE A



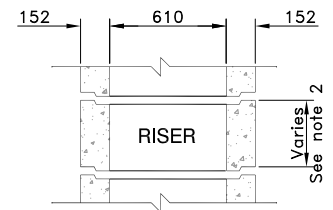
FRONT VIEW



SECTION A - A

Slope of Grate	Dimensions	
	A	B
2:1	1341	66
3:1	1265	104
4:1	1237	118
6:1	1216	65
8:1	1210	68
10:1	1206	70
Horizontal	1200	73

(Mass - 1785 kg/m)
TYPE B



NOTES:

1. Manufactured in accordance with OPSD 705.040.
2. Riser sections are available in heights of 0.305, 0.457, 0.610, 0.762, 0.914, 1.067 and 1.219m.
3. Standard outlet opening is 500mm diameter.
4. All dimensions are in millimeters, unless otherwise shown.

The product information contained in this document is believed to be accurate. Please note that not all products are made at all our facilities. For more information, specifics, and product availability, please contact your local sales representative.



TITLE
600 x 1200mm Ditch Inlet

PLANT	PROVINCE	DATE	SECTION PAGE
CAMBRIDGE OTTAWA	ON	2023	E-6



Founded in 1964, Rinker Materials, a QUIKRETE Company, is an industry leader in the design and manufacturing of infrastructure solutions that range from concrete pipe, box culvert, precast, bridge, and other related products.

Our pipe is available in round and elliptical shapes and in all strength classes. Our product line includes sanitary and storm sewer products, as well as water quality and interceptor chambers. Our technical resource engineers and in-house design teams are here to help you with your next job.



2099 Roseville Road
Cambridge, On
N1R 5S3
519.622.7574

3374 Rideau Road
Ottawa, On
K1G 3N4
613.822.0160

RinkerPipe.com