

Index

Headwalls, Endwalls & Wingwalls

G

Small Quick Headwall for 600-825mm dia. Pipe-OPS D 804.040

G-1

Medium Quick Headwall for 900-1200mm dia. Pipe-OPSD 804.040

G-2

Large Quick Headwall for 900-1200mm dia. Pipe-OPSD 804.040

G-3

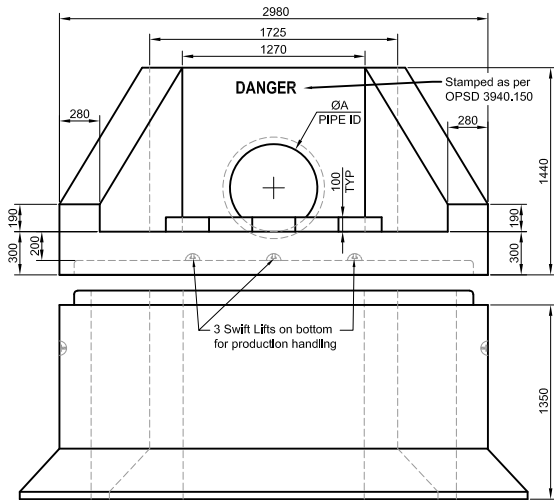
OPSD 804.040 Alternative Headwalls for 300-900mm dia. Pipes

G-4

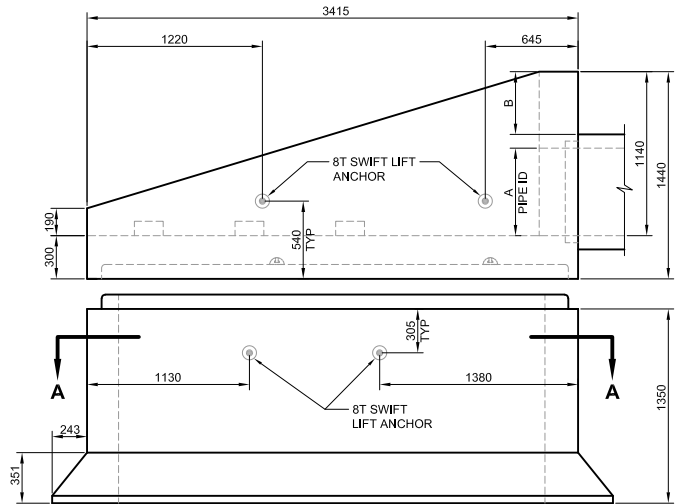
Wingwalls

G-5

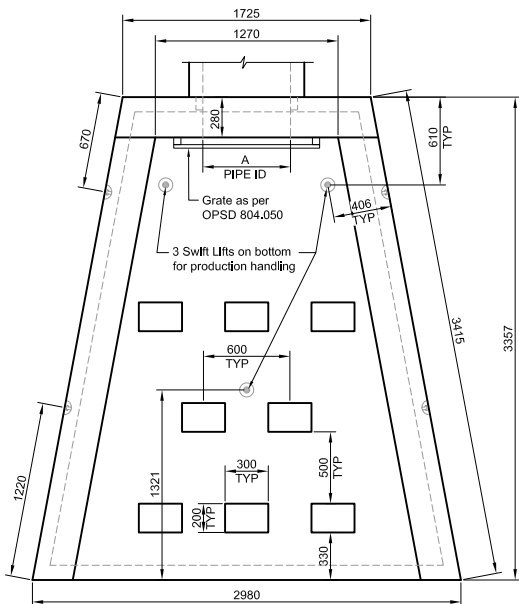




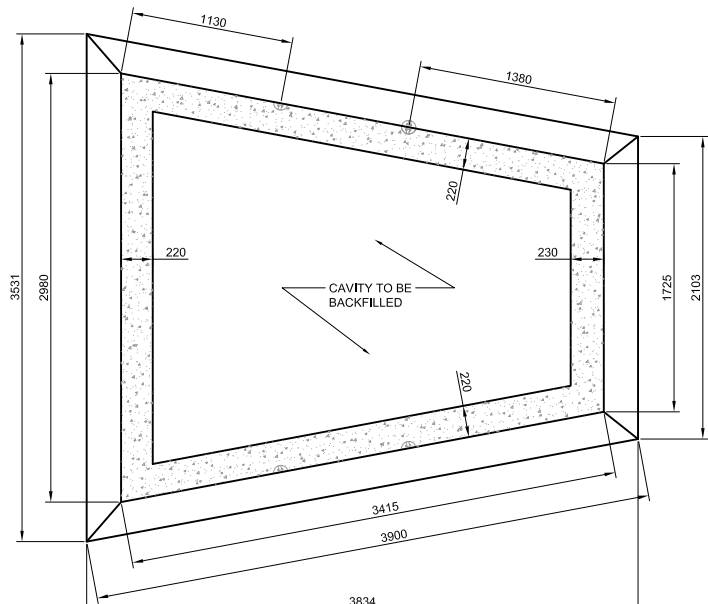
FRONT VIEW



SIDE VIEW



TOP VIEW



SECTION A-A

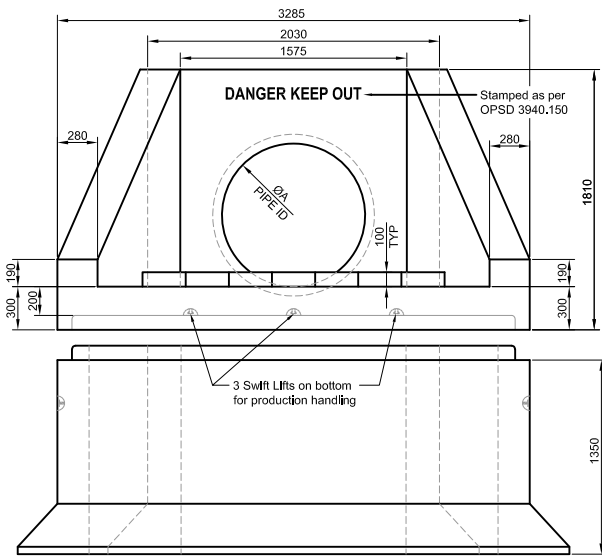
NOTES:

1. Headwall grates and handrails are available upon request.
2. Bolt on plate and sockets are available for fence installation.
3. All dimensions are in millimeters unless otherwise shown.
4. Top piece approximate mass = 8296 Kg/ pc.
5. Bottom piece approximate mass = 9414 Kg/ pc

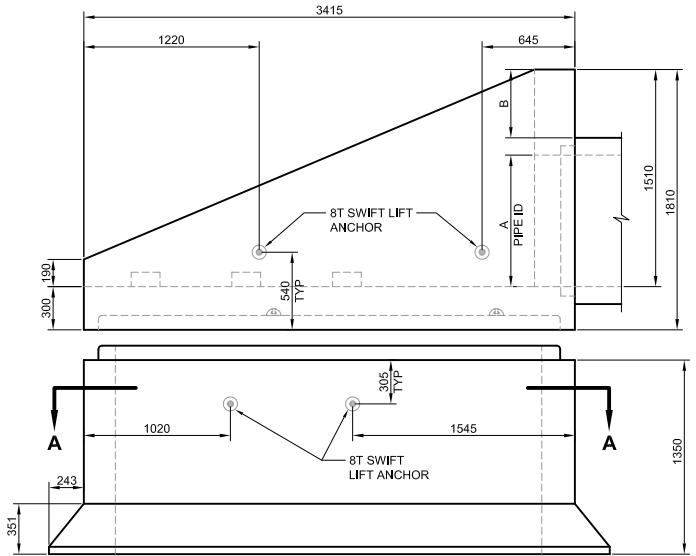
NOMINAL PIPE SIZE	DIMENSIONS	
	A	B
600	610	490
675	686	406
750	762	324
825	838	242

The product information contained in this document is believed to be accurate. Please note that not all products are made at all our facilities. For more information, specifics, and product availability, please contact your local sales representative.

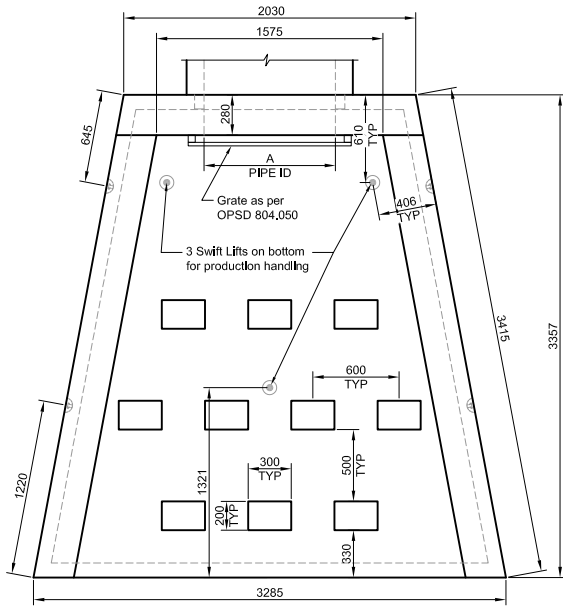
	TITLE	PLANT	PROVINCE	DATE	SECTION PAGE
	<p align="center">Small Quick Headwall for 600 - 825mm dia. Pipes</p>	CAMBRIDGE OTTAWA	ON	2023	G-1



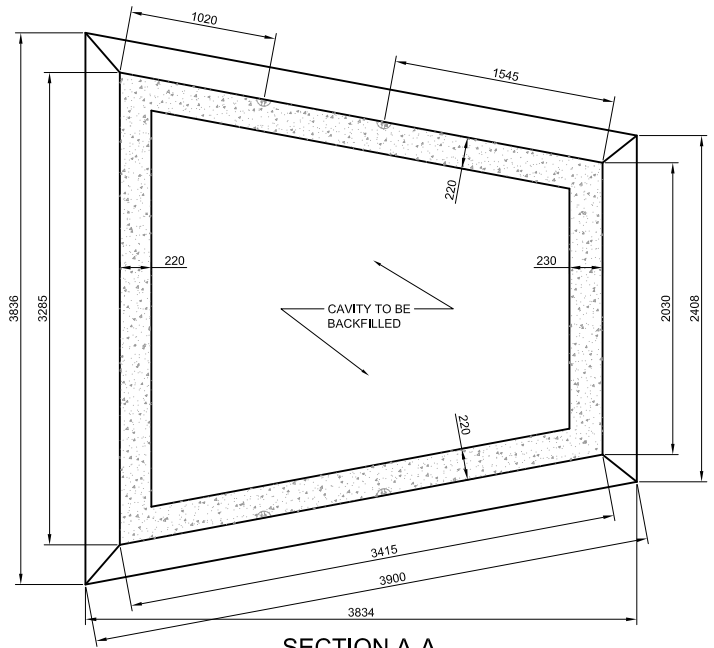
FRONT VIEW



SIDE VIEW



TOP VIEW



SECTION A-A

NOTES:

1. Headwall grates and handrails are available upon request.
2. Bolt on plate and sockets are available for fence installation.
3. All dimensions are in millimeters unless otherwise shown.
4. Top piece approximate mass = 10163 Kg/ pc.
5. Bottom piece approximate mass = 9914 Kg/ pc

NOMINAL PIPE SIZE
730x1150

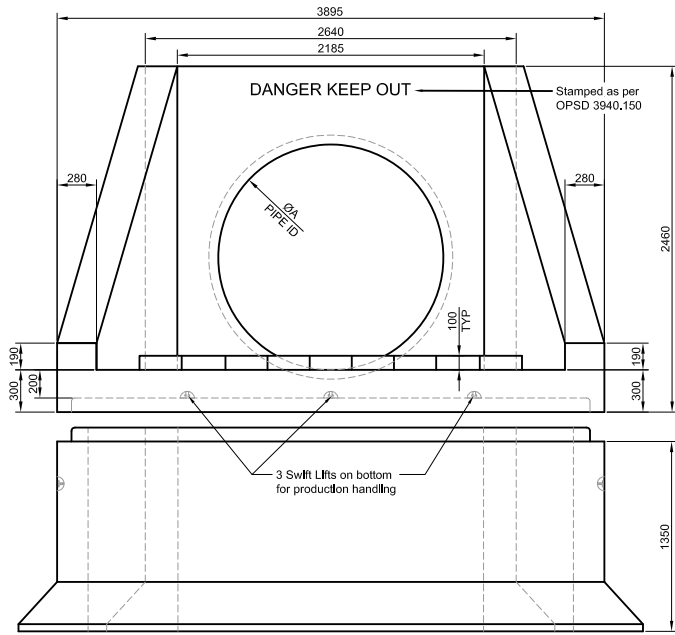
NOMINAL PIPE SIZE	DIMENSIONS	
	A	B
900	914	565
975	991	482
1050	1067	400
1200	1219	235

The product information contained in this document is believed to be accurate. Please note that not all products are made at all our facilities. For more information, specifics, and product availability, please contact your local sales representative.

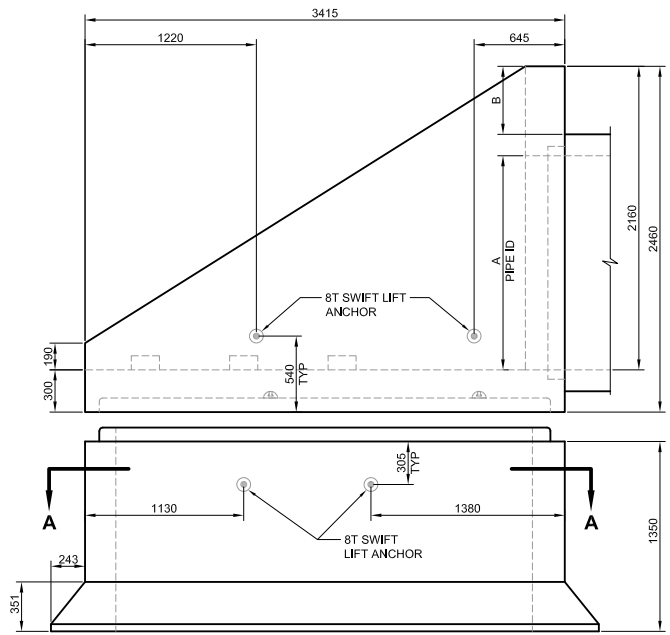


**Medium Quick Headwall
for 900 - 1200mm dia. Pipes**

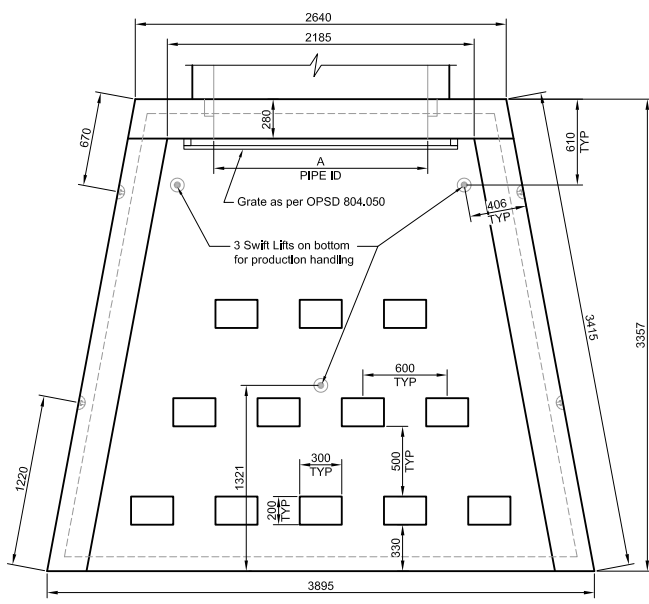
TITLE	PLANT	PROVINCE	DATE	SECTION PAGE
	CAMBRIDGE OTTAWA	ON	2023	G-2



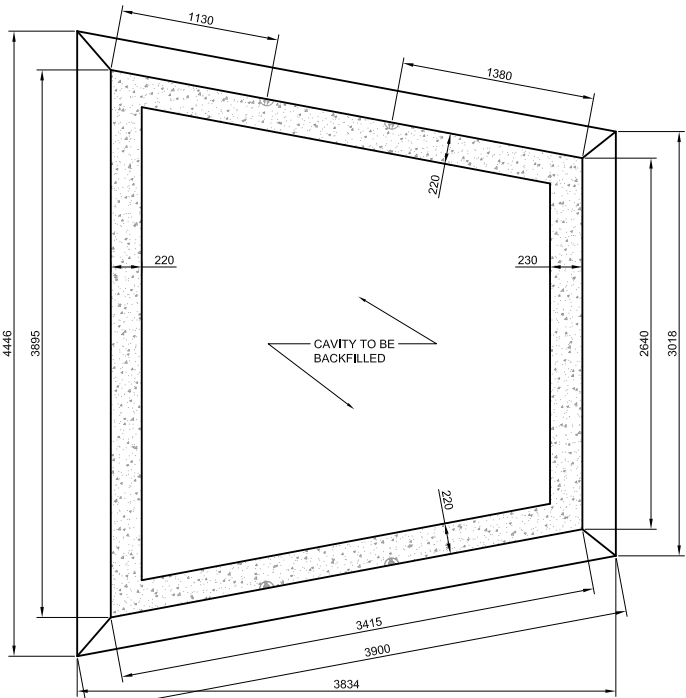
FRONT VIEW



SIDE VIEW



TOP VIEW



SECTION A-A

- NOTES:**
1. Headwall grates and handrails are available upon request.
 2. Bolt on plate and sockets are available for fence installation.
 3. All dimensions are in millimeters unless otherwise shown.
 4. Top piece approximate mass = 13860 Kg/ pc.
 5. Bottom piece approximate mass = 11077 Kg/ pc

NOMINAL PIPE SIZE
855x1345
975x1535
1095x1730
1220x1920

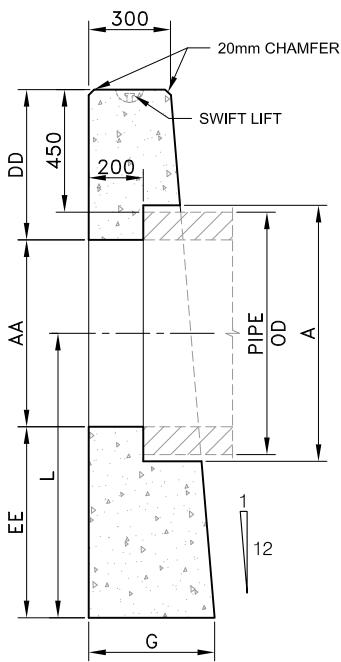
NOMINAL PIPE SIZE	DIMENSIONS	
	A	B
1350	1372	723
1500	1524	578
1650	1676	413
1800	1829	247

The product information contained in this document is believed to be accurate. Please note that not all products are made at all our facilities. For more information, specifics, and product availability, please contact your local sales representative.

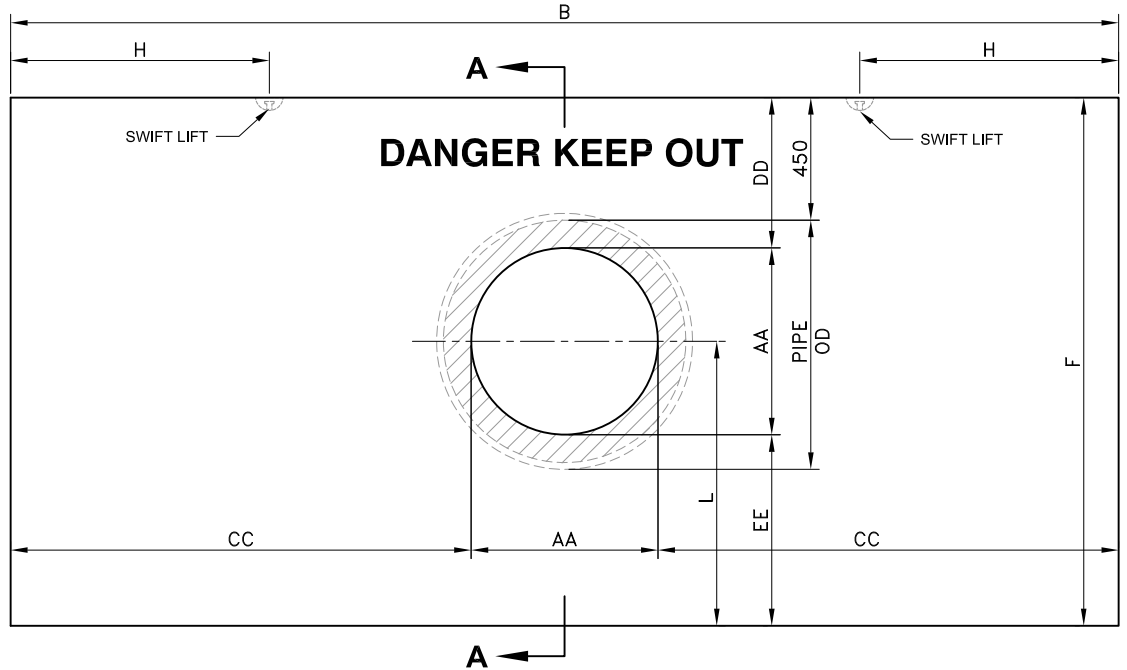
©2023 Rinker Materials

Rinker 013 - 03/2023

	TITLE	PLANT	PROVINCE	DATE	SECTION PAGE
	<p>Large Quick Headwall for 1350 - 1800mm dia. Pipes</p>	CAMBRIDGE OTTAWA	ON	2023	G-3



SECTION A-A



FRONT VIEW

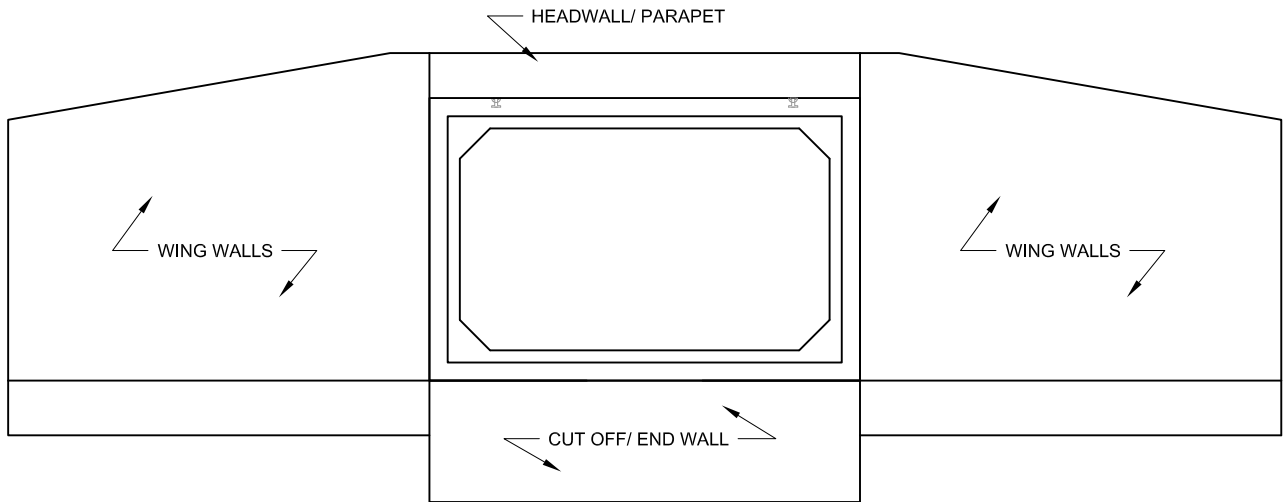
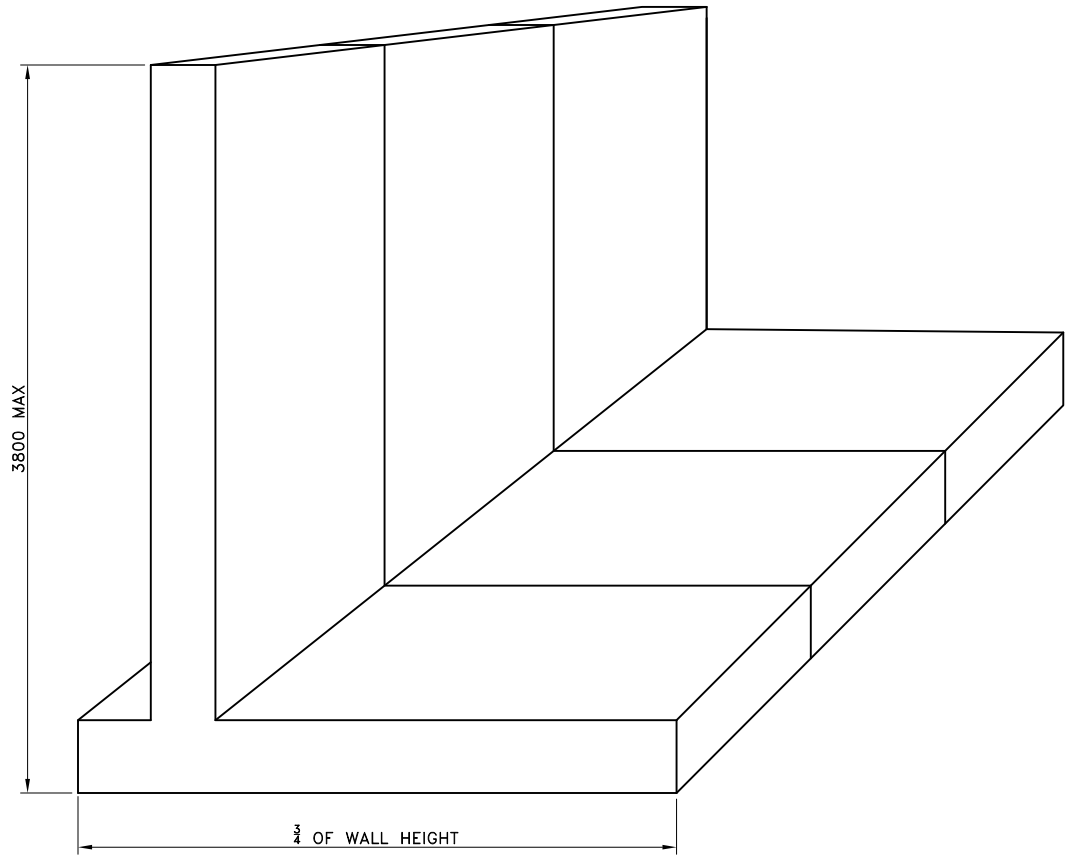
PIPE NOMINAL ID	PIPE OD	A (BACK HOLE)	AA (PIPE ACTUAL ID) (FRONT HOLE)	CC	DD	EE	B	F	G	H	L	Kg
300	445	508	305	1531	520	847	3366	1672	440	800	1000	5090
375	533	610	381	1492	526	765	3366	1672	440	800	956	5043
450	585	660	457	1455	514	701	3366	1672	440	800	930	4964
525	711	760	533	1818	539	867	4168	1939	462	1000	1134	7342
600	800	864	610	1779	545	784	4168	1939	462	1000	1089	7277
675	890	940	686	1741	552	701	4168	1939	462	1000	1044	7174
750	978	1050	762	2103	558	886	4968	2206	484	1000	1267	10124
825	1066	1170	838	2065	564	804	4968	2206	484	1000	1223	9985
900	1156	1270	914	2027	571	721	4968	2206	484	1000	1178	9834

NOTES:

1. Each headwall to have 2-8T swift lift anchors.
2. Precast Alternative to OPSD 804.030.
3. Headwall grates available upon request.
4. All dimensions are in millimeter.

The product information contained in this document is believed to be accurate. Please note that not all products are made at all our facilities. For more information, specifics, and product availability, please contact your local sales representative.

	TITLE	PLANT	PROVINCE	DATE	SECTION PAGE
	<p>OPSD 804.030 Alternative Headwalls for 300 - 900mm dia. Pipes</p>	CAMBRIDGE OTTAWA	ON	2023	G-4



NOTES:

1. Designed to CHBDC.
2. All dimensions are in millimeters.
3. For special design requests please contact our engineering department.

The product information contained in this document is believed to be accurate. Please note that not all products are made at all our facilities. For more information, specifics, and product availability, please contact your local sales representative.

©2023 Rinker Materials

Rinker 013 - 03/2023

	TITLE	PLANT	PROVINCE	DATE	SECTION PAGE
	<h2 style="margin: 0;">Wingwalls</h2>	CAMBRIDGE OTTAWA	ON	2023	G-5



Founded in 1964, Rinker Materials, a QUIKRETE Company, is an industry leader in the design and manufacturing of infrastructure solutions that range from concrete pipe, box culvert, precast, bridge, and other related products.

Our pipe is available in round and elliptical shapes and in all strength classes. Our product line includes sanitary and storm sewer products, as well as water quality and interceptor chambers. Our technical resource engineers and in-house design teams are here to help you with your next job.



2099 Roseville Road
Cambridge, On
N1R 5S3
519.622.7574

3374 Rideau Road
Ottawa, On
K1G 3N4
613.822.0160

RinkerPipe.com